

**+NOTICE!!**

**These documents have been scanned!**

**Do not place un-scanned documents beneath this notice!**

**Do not remove this notice from this file!**

GPO Jacket No. 560-102  
Print Order 61549  
Rise Business Services, LLC  
Job=AZ15 1/8/2020



Box Number= AZ15283



Claim Begin-End: AMC457126-AMC457149

**1 Initial Receipt**



AZ15283-24

AMC458525-AMC458783

**United States Department of the Interior**  
**Bureau of Land Management**  
 DIV OF LANDS, MINRLS & ENERGY  
 ONE N CENTRAL AVE  
 PHOENIX, AZ 85004 -4427  
 Phone: 602-417-9200

|         |         |
|---------|---------|
| Receipt |         |
| No:     | 4578049 |

|   |
|---|
| <b>Transaction #:</b> 4699609   |
| <b>Date of Transaction:</b> 10/07/2019  |
| <b>CUSTOMER:</b>  |
| SOUTHERN NEVADA LITEWEIGHT INC<br>7300 AFTERNOON ST<br>LAS VEGAS,NV 89131-1023 US |

**ENTERED**  
 OCT 22 2019  
 BY: *R. Am*

| LINE # | QTY   | DESCRIPTION  | REMARKS | UNIT PRICE | TOTAL  |
|--------|-------|--|---------|------------|--------|
| 1      | 24.00 | LOCATABLE MINERALS / MINING CLAIMS-NEW,UNADJUD, ONE OR MORE AUTH NOS / NEW MINING CLAIM PROCESSING FEE<br><b>CASES:</b> AMC457126/\$20.00, AMC457127/\$20.00, AMC457128/\$20.00, AMC457129/\$20.00, AMC457130/\$20.00, AMC457131/\$20.00, AMC457132/\$20.00, AMC457133/\$20.00, AMC457134/\$20.00, AMC457135/\$20.00, AMC457136/\$20.00, AMC457137/\$20.00, AMC457138/\$20.00, AMC457139/\$20.00, AMC457140/\$20.00, AMC457141/\$20.00, AMC457142/\$20.00, AMC457143/\$20.00, AMC457144/\$20.00, AMC457145/\$20.00, AMC457146/\$20.00, AMC457147/\$20.00, AMC457148/\$20.00, AMC457149/\$20.00 |         | - n/a -    | 480.00 |
| 2      | 24.00 | LOCATABLE MINERALS / MINING CLAIMS-NEW,UNADJUD, ONE OR MORE AUTH NOS / NEW MINING CLAIMS LOCATION FEE<br><b>CASES:</b> AMC457126/\$40.00, AMC457127/\$40.00, AMC457128/\$40.00, AMC457129/\$40.00, AMC457130/\$40.00, AMC457131/\$40.00, AMC457132/\$40.00, AMC457133/\$40.00, AMC457134/\$40.00, AMC457135/\$40.00, AMC457136/\$40.00, AMC457137/\$40.00, AMC457138/\$40.00, AMC457139/\$40.00, AMC457140/\$40.00, AMC457141/\$40.00, AMC457142/\$40.00, AMC457143/\$40.00, AMC457144/\$40.00, AMC457145/\$40.00,   |         | - n/a -    | 960.00 |

|               |       |   |  |         |                   |
|---------------|-------|---|--|---------|-------------------|
|               |       | AMC457146/\$40.00, AMC457147/\$40.00,<br>AMC457148/\$40.00, AMC457149/\$40.00   |  |         |                   |
| 3             | 24.00 | LOCATABLE MINERALS / MINING CLAIMS-<br>NEW,UNADJUD, ONE OR MORE AUTH NOS /<br>NEW MINING CLAIMS MAINTENANCE FEE<br>CASES: AMC457126/\$165.00, AMC457127/\$165.00,<br>AMC457128/\$165.00, AMC457129/\$165.00,<br>AMC457130/\$165.00, AMC457131/\$165.00,<br>AMC457132/\$165.00, AMC457133/\$165.00,<br>AMC457134/\$165.00, AMC457135/\$165.00,<br>AMC457136/\$165.00, AMC457137/\$165.00,<br>AMC457138/\$165.00, AMC457139/\$165.00,<br>AMC457140/\$165.00, AMC457141/\$165.00,<br>AMC457142/\$165.00, AMC457143/\$165.00,<br>AMC457144/\$165.00, AMC457145/\$165.00,<br>AMC457146/\$165.00, AMC457147/\$165.00,<br>AMC457148/\$165.00, AMC457149/\$165.00 |  | - n/a - | 3960.00           |
| <b>TOTAL:</b> |       |   |  |         | <b>\$5,400.00</b> |

| PAYMENT INFORMATION |           |   |                      |
|---------------------|-----------|---|----------------------|
| 1                   | AMOUNT:   | 5400.00   | POSTMARKED: N/A      |
|                     | TYPE:     | CHECK   | RECEIVED: 10/07/2019 |
|                     | CHECK NO: | 2499  |                      |
|                     | NAME:     | SOUTHERN NEVADA LITEWEIGHT<br>4262 BLUE DIAMOND RD STE 102-3<br>LAS VEGAS NV 89139 US |                      |

| REMARKS |
|---------|
|         |

This receipt was generated by the automated BLM Collections and Billing System and is a paper representation of a portion of the official electronic record contained therein.

**NOTICE!!**

**These documents have been scanned!**

**Do not place un-scanned documents beneath this notice!**

**Do not remove this notice from this file!**

GPO Jacket No. 560-102  
Print Order 61549  
Rise Business Services, LLC  
Job=AZ15 1/8/2020



Box Number= AZ15283



Claim Begin-End: AMC457126-AMC457149

**2 Correspondence**



AZ15283-24

AMC458525-AMC458783

**NO  
DOCUMENTS  
FOUND**

NO DOCUMENTS FOUND  
NO DOCUMENTS FOUND

**NOTICE!!**

**These documents have been scanned!**

**Do not place un-scanned documents beneath this notice!**

**Do not remove this notice from this file!**

GPO Jacket No. 560-102  
Print Order 61549  
Rise Business Services, LLC  
Job=AZ15 1/8/2020



Box Number= AZ15283



Claim Begin-End: AMC457126-AMC457149

**3 Transfers**



AZ15283-24

AMC458525-AMC458783

**NO  
DOCUMENTS  
FOUND**

NO DOCUMENTS FOUND  
NO DOCUMENTS FOUND

**NOTICE!!**

**These documents have been scanned!**

**Do not place un-scanned documents beneath this notice!**

**Do not remove this notice from this file!**

GPO Jacket No. 560-102  
Print Order 61549  
Rise Business Services, LLC  
Job=AZ15 1/8/2020



Box Number= AZ15283



Claim Begin-End: AMC457126-AMC457149

**4 Annual Filings**



AZ15283-24

AMC458525-AMC458783



**NO  
DOCUMENTS  
FOUND**

NO DOCUMENTS FOUND  
NO DOCUMENTS FOUND

**NOTICE!!**

**These documents have been scanned!**

**Do not place un-scanned documents beneath this notice!**

**Do not remove this notice from this file!**

GPO Jacket No. 560-102  
Print Order 61549  
Rise Business Services, LLC  
Job=AZ15 1/8/2020



Box Number= AZ15283



Claim Begin-End: AMC457126-AMC457149

**5 Miscellaneous**



AZ15283-24

AMC458525-AMC458783

**United States Department of the Interior**  
**Bureau of Land Management**  
 DIV OF LANDS, MINRLS & ENERGY  
 ONE N CENTRAL AVE  
 PHOENIX, AZ 85004 -4427  
 Phone: 602-417-9200

Receipt

No: 4615390

|   |  |
|---|--|
| <b>Transaction #:</b> 4737569   |  |
| <b>Date of Transaction:</b> 11/25/2019  |  |
| <b>CUSTOMER:</b>  |  |
| SOUTHERN NEVADA LITEWEIGHT INC<br>7300 AFTERNOON ST<br>LAS VEGAS,NV 89131-1023 US |  |

| LINE #        | QTY  | DESCRIPTION  | REMARKS       | UNIT PRICE | TOTAL           |
|---------------|------|--|---------------|------------|-----------------|
| 1             | 1.00 | LOCATABLE MINERALS / MINING CLAIMS-<br>NOT NEW-UNADJUD,ONE AUTH NO. ONLY /<br>MINING CLAIM MONEY RECEIVED<br>CASES: AMC457140/\$150.00 | AMEND<br>(10) | - n/a -    | 150.00          |
| <b>TOTAL:</b> |      |  |               |            | <b>\$150.00</b> |

| PAYMENT INFORMATION |           |   |                      |
|---------------------|-----------|---|----------------------|
| 1                   | AMOUNT:   | 150.00  | POSTMARKED: N/A      |
|                     | TYPE:     | CHECK   | RECEIVED: 11/25/2019 |
|                     | CHECK NO: | 216947  |                      |
|                     | NAME:     | SOUTHERN NEVADA LITEWEIGHT INC<br>7300 AFTERNOON ST<br>LAS VEGAS NV 89131-1023 US |                      |

|         |
|---------|
| REMARKS |
|         |

This receipt was generated by the automated BLM Collections and Billing System and is a paper representation of a portion of the official electronic record contained therein.

*FOR AMENDMENTS ON  
 AMC 457140 - 457149  
 CORRECTING LLD.  
 635 ENTERED 12/3/2019. PM*



8 West Pacific Avenue  
 Henderson, NV 89015  
 (702) 563-0600

Transmittal

Date: November 4, 2019

Project: 18-01-187

To: Phoenix District Office  
 Bureau of Land Management  
 21605 North 7<sup>th</sup> Avenue  
 Phoenix, Arizona 85027

Attention:

We are sending by:  Regular Mail  
 Special Delivery  
 Air Mail  
 Airborne  
 Carrier:  
 Other \_\_\_\_\_

The following:  Enclosed  
 Separately

Description: Amended Location Notice for Lode Mining Claim with Mining Claim Map (x10)  
 For AMC457140-AMC457149  
 Check for \$150

Comments: Copy of original location notices of mining claim sites by Southern Nevada Liteweight to be filed with the Arizona BLM

RECEIVED  
 BLM-AZ STATE OFFICE  
 2019 NOV 22 P 3:12  
 PHOENIX, ARIZONA

Sent by: Chris Carrier

Copies to:

NO. OF CLAIMS 10 AMEND  
 AMOUNT \$150.  
 RECEIPT NO. 4615390  
 INIT. CC

\*\* BLM-ASO\*\*

**NOTICE!!**

**These documents have been scanned!**

**Do not place un-scanned documents beneath this notice!**

**Do not remove this notice from this file!**

GPO Jacket No. 560-102  
Print Order 61549  
Rise Business Services, LLC  
Job=AZ15 1/8/2020



Box Number= AZ15283



Claim Begin-End: AMC457126-AMC457149

**6 Location Notices-Amendments and Supporting Documents**



AZ15283-24

AMC458525-AMC458783

# MINING CLAIM STATUS REPORT

Data Entered: 10/22/19 Rm

MTP Checked By: 10/22/19 Rm  
GEO Checked By: 10/22/19 Rm

LEAD SERIAL NUMBER: AMC 457126 thru AMC 457149

**NUMBER OF CLAIMS & TYPE:**

24 LODE  
\_\_\_\_ PLACER  
\_\_\_\_ ASSOCIATION PLACER  
\_\_\_\_ MILL SITE  
\_\_\_\_ TUNNEL SITE

**CHARGES:**

Processing Fee @ \$20 = \$ 480  
Location Fee @ \$40 = \$ 960  
Maintenance Fee @ \$165 = \$ 3960  
Add'l Maint Fee for Assoc Placer = \$ \_\_\_\_\_  
**SUBTOTAL** \$ \_\_\_\_\_  
Other Fees \$ \_\_\_\_\_  
Other Fees \$ \_\_\_\_\_  
**TOTAL** \$ 5,400

TOTAL ACREAGE: \_\_\_\_\_ Per Claim  
(Placer Only)

NUMBER OF LOCATORS: \_\_\_\_\_

DOCUMENTS RECEIVED VIA: Over-the-Counter [ ] Mail  **TIMELY FILED:** Yes  No [ ]

LEGAL DESCRIPTION: T 15 R 10E SEC 16-17, 19-21  
T \_\_\_\_\_ R \_\_\_\_\_ SEC \_\_\_\_\_  
T \_\_\_\_\_ R \_\_\_\_\_ SEC \_\_\_\_\_  
T \_\_\_\_\_ R \_\_\_\_\_ SEC \_\_\_\_\_  
T \_\_\_\_\_ R \_\_\_\_\_ SEC \_\_\_\_\_

BLM [ ] FOREST SERVICE [ ] \_\_\_\_\_ SUBJ TO PL 359: Yes [ ] No [ ]  
WILDERNESS AREA [ ] \_\_\_\_\_

SPLIT ESTATE: N/A [ ] SX [ ] PX [ ] OTHER [ ] \_\_\_\_\_  
SRHA [ ] Was proper Notice filed if located on SHRA Land? Yes [ ] No [ ]

RECONVEYED MINERALS ON BLM LAND REQUIRE OPENING ORDER FROM 1944 TO 1993:  
Open to Entry On \_\_\_\_\_ N/A [ ]

COMMENTS/STATUS: VOID [ ] PARTIALLY VOID [ ] PVT MINERALS [ ] WITHDRAWN LANDS [ ]  
OTHER [ ] NO RIGHTS EXTENDED TO THOSE PORTIONS OF CLAIMS  
ON SG SEC 16 LAND. RM  
Amc 457127, 457136, 457149 USED MAP FOR ULD, WRITTEN ULD INCORRECT. RM

[ ] Claimant acknowledges that portions of the following claim(s) site(s) may be void or voidable.

Printed Name of Claimant \_\_\_\_\_ Signature of Claimant \_\_\_\_\_

\*\*\*\*\*FINAL ADJUDICATION\*\*\*\*\*

DATE 12/3/2019 INITIALS RM

AMC 457126

**LOCATION NOTICE FOR LODE MINING CLAIM**

Amendment BLM Serial # \_\_\_\_\_

NOTICE IS HEREBY GIVEN that the Arizona Rhyolite No. 1  
\_\_\_\_\_ lode mining claim has been located  
by Southern Nevada Liteweight, Inc. whose current mailing  
address is 7300 Afternoon Street  
North Las Vegas, Nevada 89131

RECEIVED  
BLM AZ STATE OFFICE  
2019 OCT - 7 P 1:35  
PHOENIX, ARIZONA  
BLM  
Date  
Stamp

The general course of this claim is North-South and it is situated in Pinal

County, Arizona. This claim is 1500 feet in length and 600 feet in width.

20.66 Total Claim Acreage. This claim runs from the location monument on which this location notice  
is posted on the Northeast corner of the claim approximately 600 feet in a westerly direction to the  
west end line and 1500 feet in a southerly direction to the south end line. This claim is  
marked by four monuments, one at each corner of the claim.

The location monument on which this notice is posted is situated within Section 20&21, Township 1  
S, Range 10 E, Gila Salt River Base and Meridian, Arizona and this claim encompasses portions  
of the following quarter section(s), section(s), Township(s) and Range(s) NW 1/4 of Section 21, T.1 S., R.10 E. and NE  
1/4 of Section 20, T.1S., R. 10E.

Gila Salt River Base and Meridian, Arizona.

The locality of this claim with reference to some natural object or permanent monument and additional information  
(if any) concerning its locality are as follows: The NE corner of the claim at which this location notice is posted bears due east a  
distance of 440 feet from the section corner common to sections 16, 17, 20, & 21, T 1 S, R.10 E., G.& S.R.B.&M.

\_\_\_\_\_ The above information is shown on the attached map.

DATED AND POSTED on the ground this 19 day of September, 2019.

LOCATOR(s)  AGENT

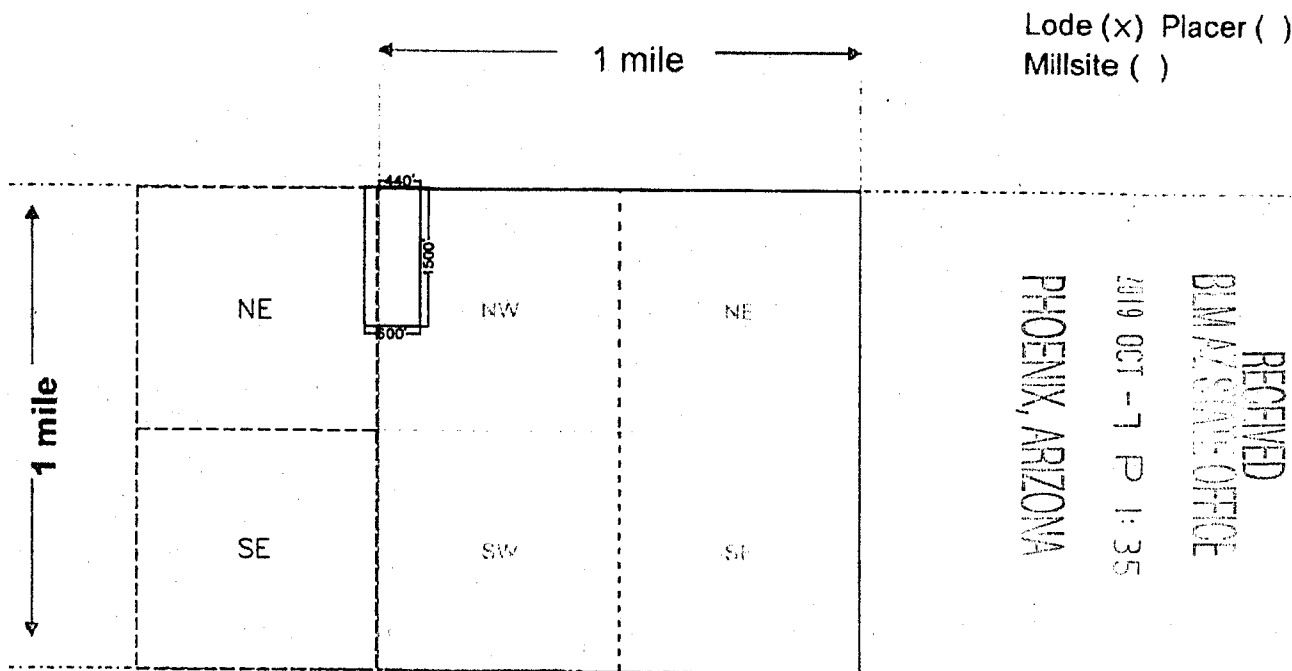
Print Name(s) Vincent Apple

Signature(s) 

AMC457126

Form MCF100  
Revised July 2014

**MINING CLAIM MAP**



Scale: 1" = 2000 feet



1. The above map depicts the Arizona Rhyolite No. 1 mining claim, which is located in Section (s) 20 & 21, Township 1 S, Range 10 E, Gila and Salt River Base and Meridian, Pinal County, Arizona. Total claim acreage is 20.66

2. The type of corner and location monuments used are as follows: 3' Metal Posts

3. The bearings and distances in degrees and feet between claim corners and to a public land survey monument are as depicted on the map.

4. If the claim is a placer or millsite claim with exterior limits conforming to legal subdivisions of the public survey,

provide a legal description of the claim Arizona Rhyolite No. 1: The bearing and distance between corners is as follows: Beginning at the NE corner, a corner monument at which the location notice is posted, then west 600 feet to the NW corner, then south 1500 feet to the SW corner, then east 600 feet to the SE corner, then north 1500 feet to the place of beginning. The NE corner of the claim at which the location notice is posted bears due east a distance of 440 feet from the section corner common to Sections 16, 17, 20 and 21, T 1 S, R 10 E, G & S.R.B. & M.

Form MCF100a  
Revised Oct 2018

This form is available from the **Arizona Geology Survey** and may be reproduced.

AMC457126



**LOCATION NOTICE FOR LODE MINING CLAIM**

Amendment BLM Serial # \_\_\_\_\_

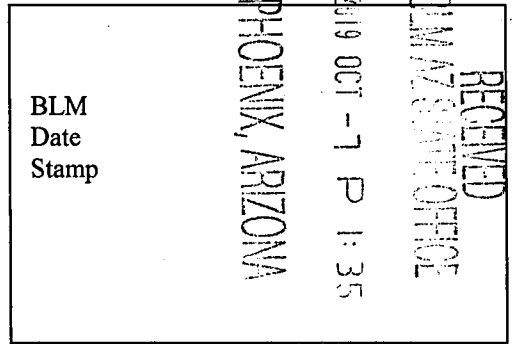
NOTICE IS HEREBY GIVEN that the Arizona Rhyolite No. 2

\_\_\_\_\_ lode mining claim has been located

by Southern Nevada Liteweight, Inc. whose current mailing

address is 7300 Afternoon Street

North Las Vegas, Nevada 89131



BLM  
Date  
Stamp

The general course of this claim is Southwest-Northeast and it is situated in Pinal

County, Arizona. This claim is 1500 feet in length and 600 feet in width.

20.66 Total Claim Acreage. This claim runs from the location monument on which this location notice is posted on the Southwest corner of the claim approximately 600 feet in a westerly direction to the west end line and 1500 feet in a southerly direction to the south end line. This claim is marked by four monuments, one at each corner of the claim.

The location monument on which this notice is posted is situated within Section 16, 17, 20, Township 1 S, Range 10 E, Gila Salt River Base and Meridian, Arizona and this claim encompasses portions of the following quarter section(s), section(s), Township(s) and Range(s) NW 1/4 of Section 20, T.1 S., R.10 E.; SE 1/4 of Section 17, T.1S., R. 10E.; and SW 1/4 of Section 16, T.1 S., R.10 E.

Gila Salt River Base and Meridian, Arizona.

The locality of this claim with reference to some natural object or permanent monument and additional information (if any) concerning its locality are as follows: The SW corner of the claim at which this location notice is posted bears S 43°W a distance of 315 feet from the section corner common to Sections 16, 17, 20, & 21, T 1 S, R.10 E., G.& S.R.B.&M.

\_\_\_\_\_ The above information is shown on the attached map.

DATED AND POSTED on the ground this 19 day of September, 2019.

LOCATOR(s)  AGENT

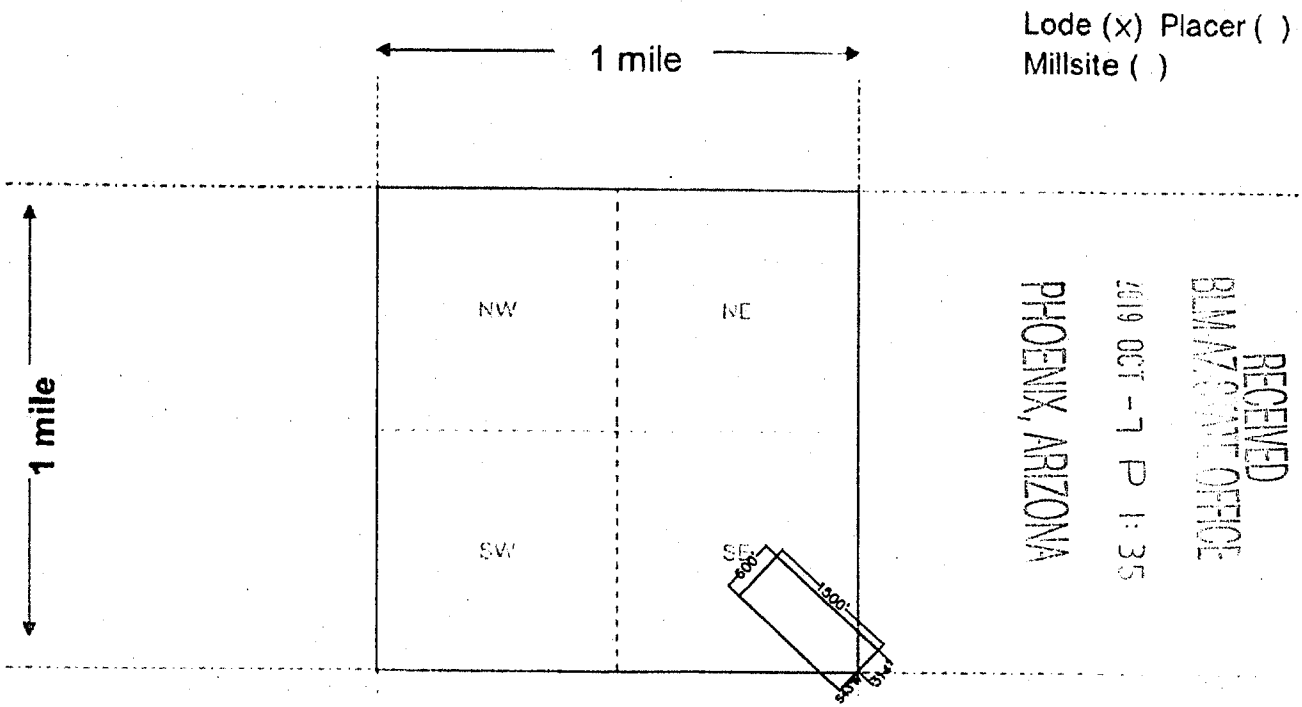
Print Name(s) Vincent Apple

Signature(s)

Form MCF100  
Revised July 2014

AMC457127

**MINING CLAIM MAP**



Lode (x) Placer ( )  
Millsite ( )

RECEIVED  
BLM AZ STATE OFFICE  
2019 OCT -7 P 1:35  
PHOENIX, ARIZONA

Scale: 1" = 2000 feet

1. The above map depicts the Arizona Rhyolite No. 2 mining claim, which is located in Section (s) 16,17,&20, Township 1 S, Range 10 E, Gila and Salt River Base and Meridian, Pinal County, Arizona. Total claim acreage is 20.66

2. The type of corner and location monuments used are as follows: 3' Metal Posts

3. The bearings and distances in degrees and feet between claim corners and to a public land survey monument are as depicted on the map.

4. If the claim is a placer or millsite claim with exterior limits conforming to legal subdivisions of the public survey,

provide a legal description of the claim: Arizona Rhyolite No. 2. The bearing and distance between corners is as follows: Beginning at the SW corner, a corner monument at which the location notice is posted, then N 47° W a distance of 1500 feet to the NW corner, then N 43° E a distance of 600 feet to the NE corner, then S 47° E a distance of 1500 feet to the SE corner, then S 43° W a distance of 600 feet to the place of beginning. The SW corner of the claim at which the location notice is posted bears S 43° W a distance of 315 feet from the Section corner common to Sections 16, 17, 20 and 21, T 1 S, R 10 E, G.& S.R.B.& M.

Form MCF100a  
Revised Oct 2018

This form is available from the Arizona Geology Survey and may be reproduced.

ARC457127

**LOCATION NOTICE FOR LODE MINING CLAIM**

Amendment BLM Serial # \_\_\_\_\_

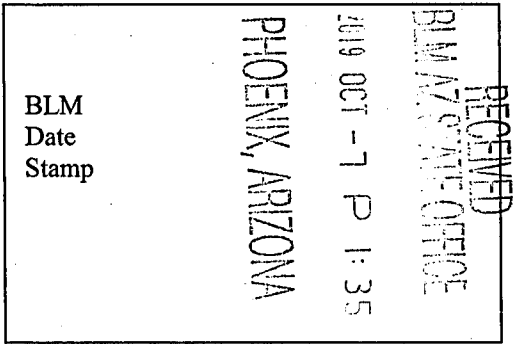
NOTICE IS HEREBY GIVEN that the Arizona Rhyolite No. 3

\_\_\_\_\_ lode mining claim has been located

by Southern Nevada Liteweight, Inc. whose current mailing

address is 7300 Afternoon Street

North Las Vegas, Nevada 89131



The general course of this claim is North-South and it is situated in Pinal

County, Arizona. This claim is 1500 feet in length and 600 feet in width.

20.66 Total Claim Acreage. This claim runs from the location monument on which this location notice is posted on the Northwest corner of the claim approximately 600 feet in a easterly direction to the east end line and 1500 feet in a southernly direction to the south end line. This claim is marked by four monuments, one at each corner of the claim.

The location monument on which this notice is posted is situated within Section 21, Township 1 S, Range 10 E, Gila Salt River Base and Meridian, Arizona and this claim encompasses portions of the following quarter section(s), section(s), Township(s) and Range(s) NW 1/4 of Section 21, T.1 S., R.10 E.

Gila Salt River Base and Meridian, Arizona.

The locality of this claim with reference to some natural object or permanent monument and additional information (if any) concerning its locality are as follows: The NW corner of the claim at which this location notice is posted bears due east a distance of 440 feet from the section corner common to sections 16, 17, 20, & 21, T 1 S, R.10 E., G. & S.R.B.&M.

\_\_\_\_\_ The above information is shown on the attached map.

DATED AND POSTED on the ground this 19 day of September, 2019.

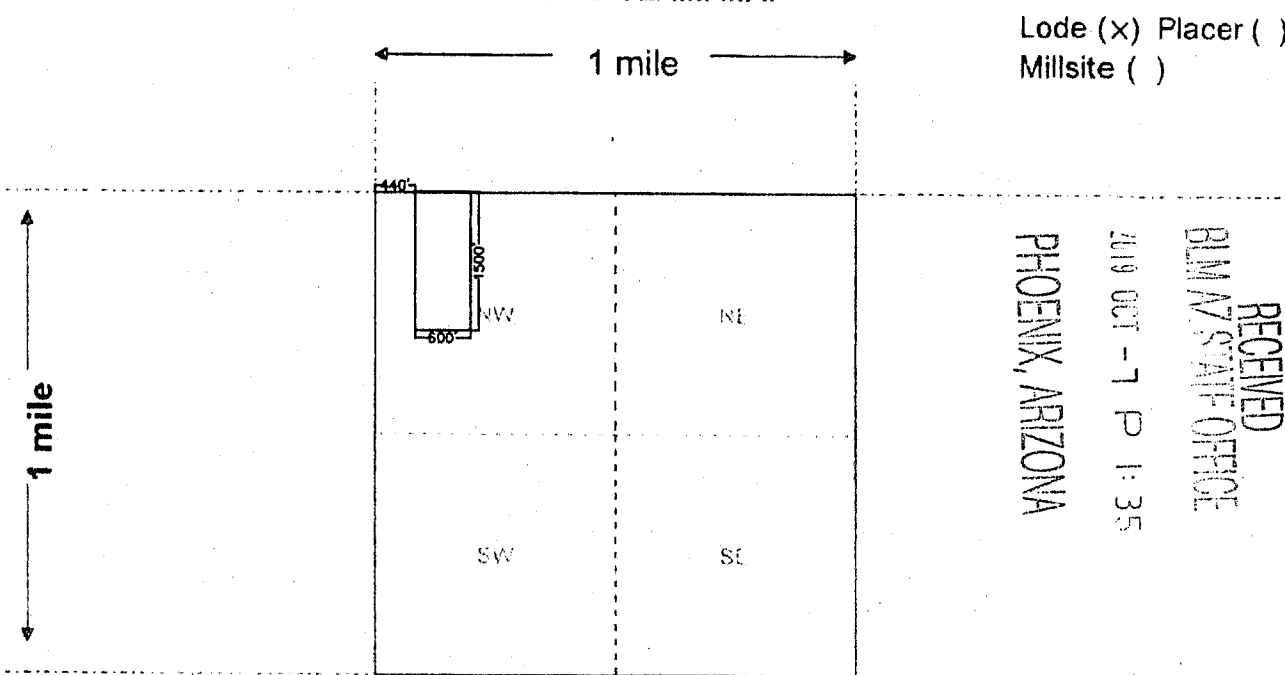
LOCATOR(s)  AGENT

Print Name(s) Vincent Apple

Signature(s) [Signature]

AMC457128

**MINING CLAIM MAP**



RECEIVED  
 BLM AZ STATE OFFICE  
 2019 OCT -7 P 1:35  
 PHOENIX, ARIZONA

Scale: 1" = 2000 feet



1. The above map depicts the Arizona Rhyolite No. 3 mining claim, which is located in Section (s) 21, Township 1 S, Range 10 E, Gila and Salt River Base and Meridian, Pinal County, Arizona. Total claim acreage is 20.66

2. The type of corner and location monuments used are as follows: 3' Metal Posts

3. The bearings and distances in degrees and feet between claim corners and to a public land survey monument are as depicted on the map.

4. If the claim is a placer or millsite claim with exterior limits conforming to legal subdivisions of the public survey,

provide a legal description of the claim Arizona Rhyolite No. 3: The bearing and distance between corners is as follows: Beginning at the NW corner, a corner monument at which the location notice is posted, then south 1500 feet to the SW corner, then east 500 feet to the SE corner, then north 1500 feet to the NE corner, then west 500 feet to the place of beginning. The NW corner of the claim at which the location notice is posted bears due east a distance of 440 feet from the section corner common to Sections 16, 17, 20 and 21, T 1 S, R 10 E, G. & S.R.B. & M.

Form MCF100a  
Revised Oct 2018

This form is available from the Arizona Geology Survey and may be reproduced.

AMC457128

**LOCATION NOTICE FOR LODE MINING CLAIM**

Amendment BLM Serial # \_\_\_\_\_

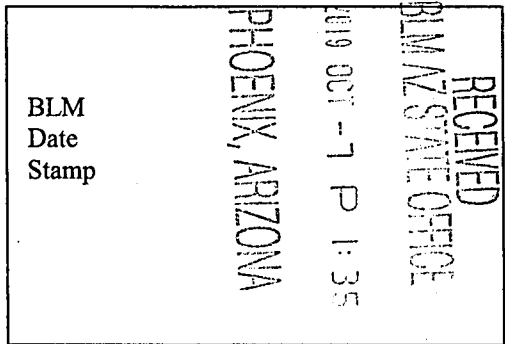
NOTICE IS HEREBY GIVEN that the Arizona Rhyolite No. 4

\_\_\_\_\_ lode mining claim has been located

by Southern Nevada Liteweight, Inc. whose current mailing

address is 7300 Afternoon Street

North Las Vegas, Nevada 89131



The general course of this claim is Northeast - Southwest and it is situated in Pinal

County, Arizona. This claim is 1150 feet in length and 600 feet in width.

15.84 Total Claim Acreage. This claim runs from the location monument on which this location notice is posted on the Northeast corner of the claim approximately 600 feet in a easterly direction to the east end line and 1150 feet in a southerly direction to the south end line. This claim is marked by four monuments, one at each corner of the claim.

The location monument on which this notice is posted is situated within Section 21, Township 1 S, Range 10 E, Gila Salt River Base and Meridian, Arizona and this claim encompasses portions of the following quarter section(s), section(s), Township(s) and Range(s) NW 1/4 of Section 21, T.1 S., R.10 E.

Gila Salt River Base and Meridian, Arizona.

The locality of this claim with reference to some natural object or permanent monument and additional information (if any) concerning its locality are as follows: The NE corner of the claim at which this location notice is posted bears S 68°E a distance of 1025 feet from the section corner common to Sections 16, 17, 20, & 21, T 1 S, R.10 E., G. & S.R.B.&M.

\_\_\_\_\_ The above information is shown on the attached map.

DATED AND POSTED on the ground this 19 day of September, 20 19.

LOCATOR(s)  AGENT

Print Name(s) Vincent Apple

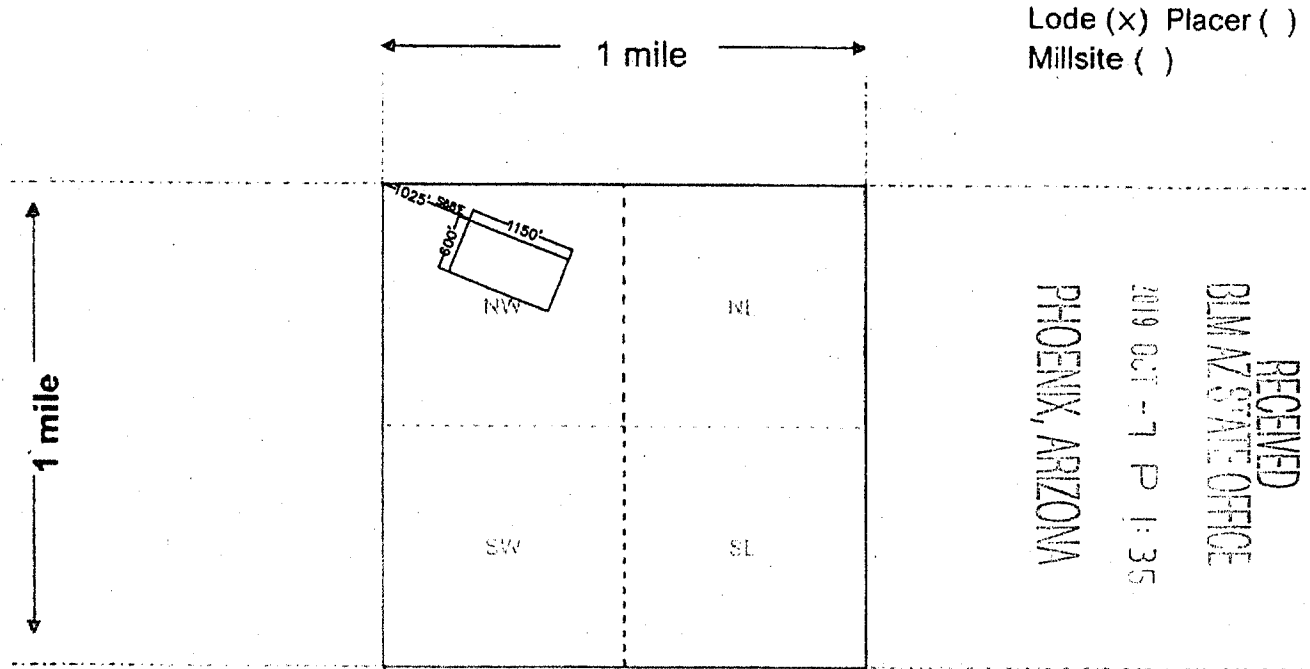
Signature(s)

Form MCF100  
Revised July 2014

This form is available from the Arizona Geological Survey and may be reproduced.

AMC457129

**MINING CLAIM MAP**



Lode (x) Placer ( )  
Millsite ( )

RECEIVED  
BIA/ARIZONA STATE OFFICE  
2019 OCT -7 P 1:35  
PHOENIX, ARIZONA

Scale: 1" = 2000 feet



1. The above map depicts the Arizona Rhyolite No. 4 mining claim, which is located in Section (s) 21, Township 1 S, Range 10 E, Gila and Salt River Base and Meridian, Pinal County, Arizona. Total claim acreage is 15.84

2. The type of corner and location monuments used are as follows: 3' Metal Posts

3. The bearings and distances in degrees and feet between claim corners and to a public land survey monument are as depicted on the map.

4. If the claim is a placer or millsite claim with exterior limits conforming to legal subdivisions of the public survey,

provide a legal description of the claim Arizona Rhyolite No. 4: The bearing and distance between corners is as follows: Beginning at the NE corner, a corner monument at which the location notice is posted, then S 23' W a distance of 600 feet to the NW corner, then S 67' E a distance of 1150 feet to the SW corner, then N 23' E a distance of 600 feet to the SE corner, then N 67' W a distance of 1150 feet to the place of beginning. The NE corner of the claim at which the location notice is posted bears S 68' E a distance of 1025 feet from the section corner common to Sections 16, 17, 20 and 21, T 1 S, R 10 E, G. & S.R.B. & N.

Form MCF100a  
Revised Oct 2018

This form is available from the Arizona Geology Survey and may be reproduced.

AMC457129

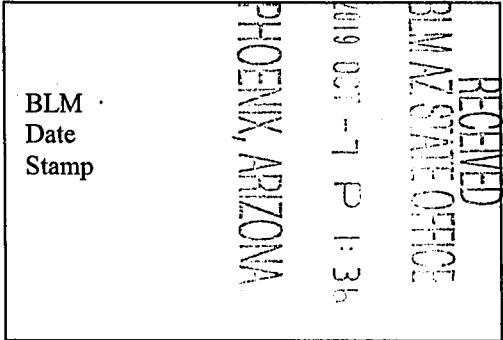
**LOCATION NOTICE FOR LODE MINING CLAIM**

Amendment BLM Serial # \_\_\_\_\_

NOTICE IS HEREBY GIVEN that the Arizona Rhyolite No. 5

\_\_\_\_\_ lode mining claim has been located

by Southern Nevada Liteweight, Inc. whose current mailing  
address is 7300 Afternoon Street  
North Las Vegas, Nevada 89131



The general course of this claim is South - North and it is situated in Pinal

County, Arizona. This claim is 1500 feet in length and 600 feet in width.

20.66 Total Claim Acreage. This claim runs from the location monument on which this location notice is posted on the Southeast corner of the claim approximately 600 feet in a easterly direction to the east end line and 1500 feet in a Northerly direction to the North end line. This claim is marked by four monuments, one at each corner of the claim.

The location monument on which this notice is posted is situated within Section 17, Township 1 S, Range 10 E, Gila Salt River Base and Meridian, Arizona and this claim encompasses portions of the following quarter section(s), section(s), Township(s) and Range(s) SE 1/4 of Section 17, T.1 S., R.10 E.

Gila Salt River Base and Meridian, Arizona.

The locality of this claim with reference to some natural object or permanent monument and additional information (if any) concerning its locality are as follows: The SE corner of the claim at which the location notice is the section corner common common to Sections 16, 17, 20, & 21, T 1 S, R.10 E., G.& S.R.B.&M.

\_\_\_\_\_ The above information is shown on the attached map.

DATED AND POSTED on the ground this 19 day of September, 20 19.

LOCATOR(s)  AGENT

Print Name(s) Vincent Apple

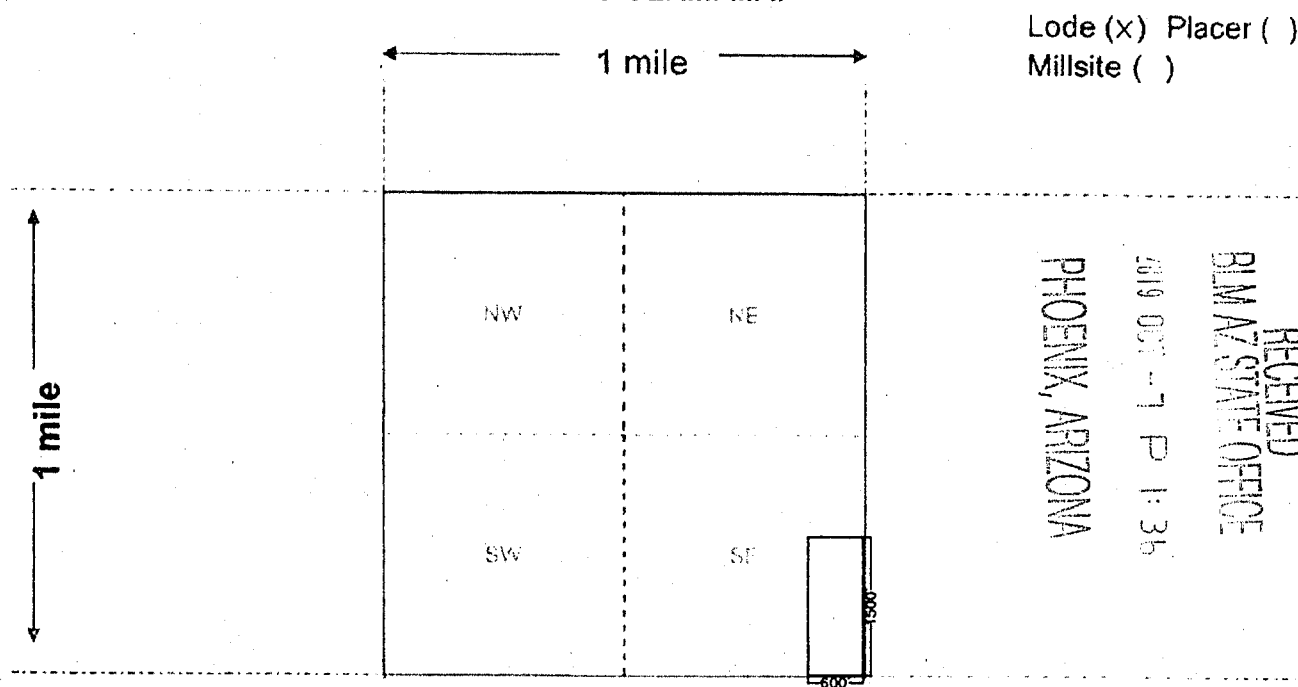
Signature(s)

Form MCF100  
Revised July 2014

This form is available from the Arizona Geological Survey and may be reproduced.

AMC 457130

**MINING CLAIM MAP**



Scale: 1" = 2000 feet



1. The above map depicts the Arizona Rhyolite No. 5 mining claim, which is located in Section (s) 17, Township 1 S, Range 10 E, Gila and Salt River Base and Meridian, Pinal County, Arizona. Total claim acreage is 20.66

2. The type of corner and location monuments used are as follows: 3' Metal Posts

3. The bearings and distances in degrees and feet between claim corners and to a public land survey monument are as depicted on the map.

4. If the claim is a placer or millsite claim with exterior limits conforming to legal subdivisions of the public survey,

provide a legal description of the claim Arizona Rhyolite No. 5: The bearing and distance between corners is as follows: Beginning at the SE corner, a monument at which the location notice is posted, then north 1500 feet to the NE corner, then west 600 feet to the NW corner, then south 1500 feet to the SW corner, then east 600 feet to the place of beginning. The SE corner of the claim at which the location notice is the section corner common to Sections 16, 17, 20 and 21, Township 1 South, Range 10 East, G. & S.R.B. & M.

Form MCF100a  
Revised Oct 2018

This form is available from the Arizona Geology Survey and may be reproduced.

AMC457130



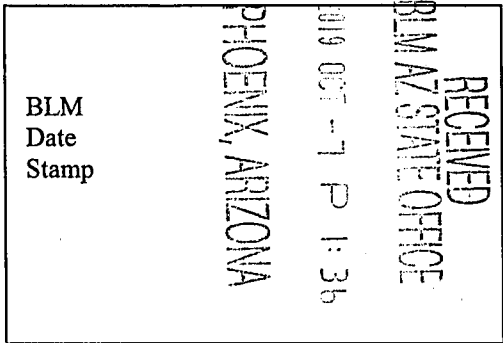
**LOCATION NOTICE FOR LODE MINING CLAIM**

Amendment BLM Serial # \_\_\_\_\_

NOTICE IS HEREBY GIVEN that the Arizona Rhyolite No. 6

\_\_\_\_\_ lode mining claim has been located

by Southern Nevada Liteweight, Inc. whose current mailing address is 7300 Afternoon Street  
North Las Vegas, Nevada 89131



The general course of this claim is South - North and it is situated in Pinal

County, Arizona. This claim is 1500 feet in length and 600 feet in width.

20.66 Total Claim Acreage. This claim runs from the location monument on which this location notice is posted on the Southeast corner of the claim approximately 600 feet in a westerly direction to the west end line and 1500 feet in a Northerly direction to the North end line. This claim is marked by four monuments, one at each corner of the claim.

The location monument on which this notice is posted is situated within Section 17, Township 1 S, Range 10 E, Gila Salt River Base and Meridian, Arizona and this claim encompasses portions of the following quarter section(s), section(s), Township(s) and Range(s) SE 1/4 of Section 17, T.1 S., R.10 E.

Gila Salt River Base and Meridian, Arizona.

The locality of this claim with reference to some natural object or permanent monument and additional information (if any) concerning its locality are as follows: The SE corner of the claim at which the location notice is posted bears due west a distance of 600 feet from the section corner common to Sections 16, 17, 20, & 21, T 1 S, R.10 E., G.& S.R.B.&M.

\_\_\_\_\_ The above information is shown on the attached map.

DATED AND POSTED on the ground this 19 day of September, 20 19

LOCATOR(s)  AGENT

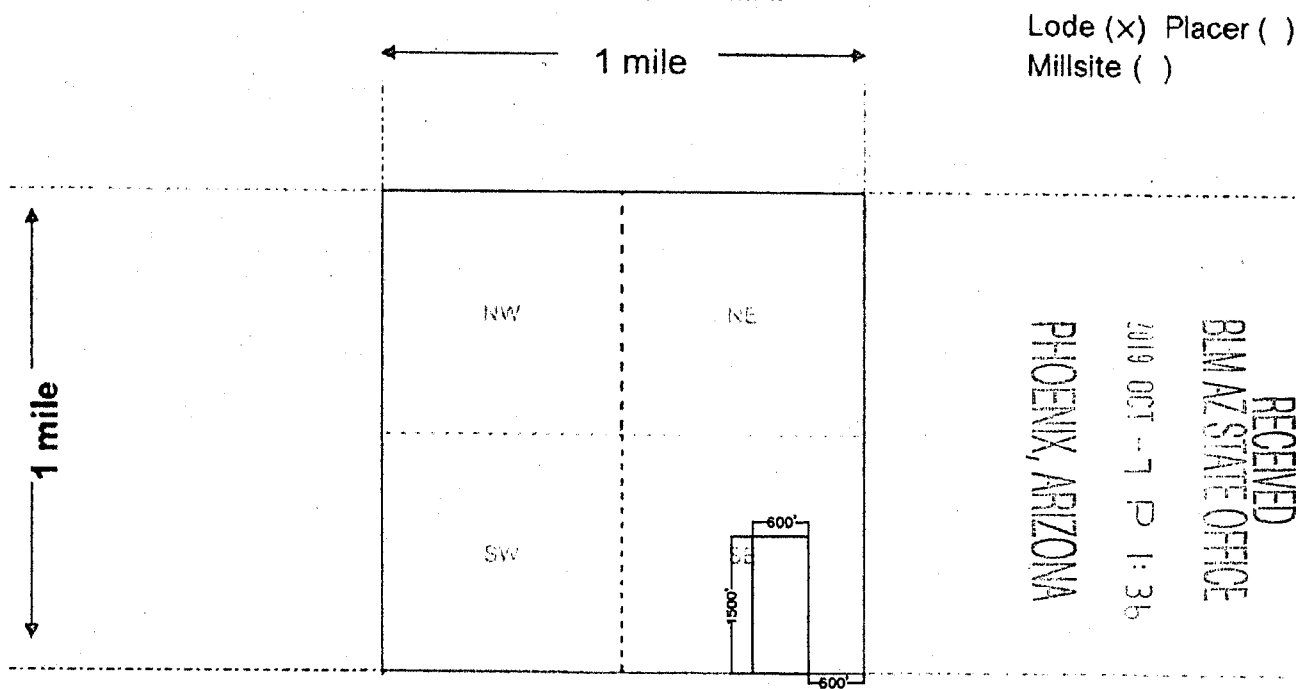
Print Name(s) Vincent Apple

Signature(s) [Signature]

Form MCF100  
Revised July 2014

AHC457131

### MINING CLAIM MAP



Scale: 1" = 2000 feet



1. The above map depicts the Arizona Rhyolite No. 6 mining claim, which is located in Section (s) 17, Township 1 S, Range 10 E, Gila and Salt River Base and Meridian, Pinal County, Arizona. Total claim acreage is 20.66

2. The type of corner and location monuments used are as follows: 3' Metal Posts

3. The bearings and distances in degrees and feet between claim corners and to a public land survey monument are as depicted on the map.

4. If the claim is a placer or millsite claim with exterior limits conforming to legal subdivisions of the public survey,

provide a legal description of the claim Arizona Rhyolite No. 6: The bearing and distance between corners is as follows: Beginning at the SE corner, a monument at which the location notice is posted, then north 1500 feet to the NE corner, then west 600 feet to the NW corner, then south 1500 feet to the SW corner, then east 600 feet to the place of beginning. The SE corner of the claim at which the location notice is posted bears due west a distance of 600 feet from the section corner common to Sections 16, 17, 20 and 21, Township 1 South, Range 10 East, G. & S.R.B. & M.

Form MCF100a  
Revised Oct 2018

This form is available from the **Arizona Geology Survey** and may be reproduced.

AMC457131

**LOCATION NOTICE FOR LODE MINING CLAIM**

Amendment BLM Serial # \_\_\_\_\_

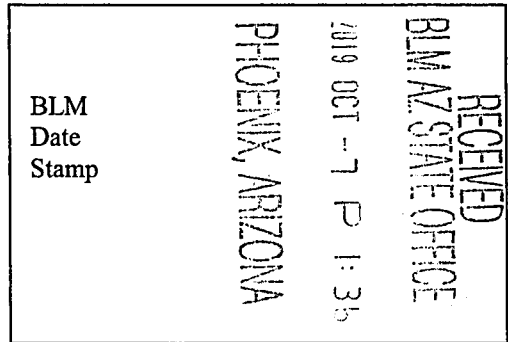
NOTICE IS HEREBY GIVEN that the Arizona Rhyolite No. 7

\_\_\_\_\_ lode mining claim has been located

by Southern Nevada Liteweight, Inc. whose current mailing

address is 7300 Afternoon Street

North Las Vegas, Nevada 89131



The general course of this claim is South - North and it is situated in Pinal

County, Arizona. This claim is 1500 feet in length and 600 feet in width.

20.66 Total Claim Acreage. This claim runs from the location monument on which this location notice is posted on the Southeast corner of the claim approximately 600 feet in a westerly direction to the west end line and 1500 feet in a Northerly direction to the North end line. This claim is marked by four monuments, one at each corner of the claim.

The location monument on which this notice is posted is situated within Section 17, Township 1 S, Range 10 E, Gila Salt River Base and Meridian, Arizona and this claim encompasses portions of the following quarter section(s), section(s), Township(s) and Range(s) SE 1/4 of Section 17, T.1 S., R.10 E.

Gila Salt River Base and Meridian, Arizona.

The locality of this claim with reference to some natural object or permanent monument and additional information (if any) concerning its locality are as follows: The SE corner of the claim at which the location notice is posted bears due west a distance of 1200 feet from the section corner common to Sections 16, 17, 20, & 21, T 1 S, R.10 E., G.& S.R.B.&M.

\_\_\_\_\_ The above information is shown on the attached map.

DATED AND POSTED on the ground this 19 day of September, 20 19.

LOCATOR(s)  AGENT

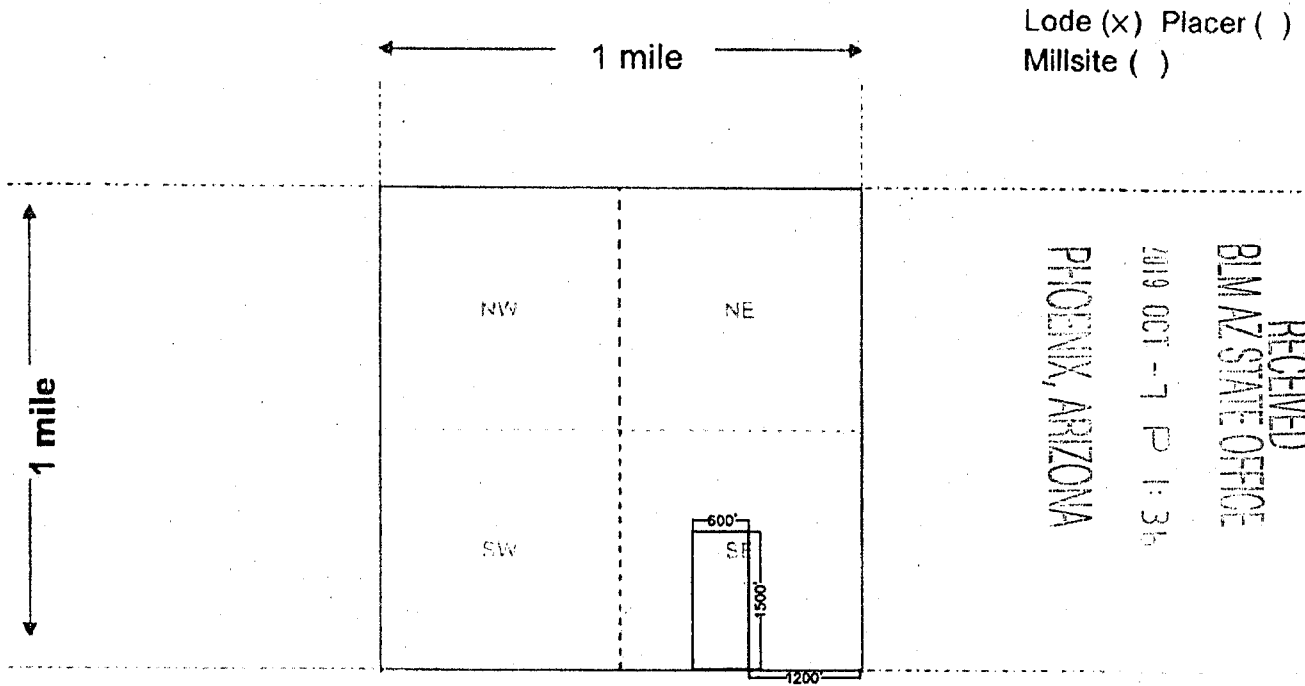
Print Name(s) Vincent Apple

Signature(s)

Form MCF100  
Revised July 2014

AMC457132

**MINING CLAIM MAP**



RECEIVED  
BLM AZ STATE OFFICE  
2019 OCT -7 P 1:36  
PHOENIX, ARIZONA



Scale: 1" = 2000 feet

- The above map depicts the Arizona Rhyolite No. 7 mining claim, which is located in Section (s) 17, Township 1 S, Range 10 E, Gila and Salt River Base and Meridian, Pinal County, Arizona. Total claim acreage is 20.66
- The type of corner and location monuments used are as follows: 3' Metal Posts

- The bearings and distances in degrees and feet between claim corners and to a public land survey monument are as depicted on the map.
- If the claim is a placer or millsite claim with exterior limits conforming to legal subdivisions of the public survey,

provide a legal description of the claim Arizona Rhyolite No. 7: The bearing and distance between corners is as follows: Beginning at the SE corner, a monument at which the location notice is posted, then north 1500 feet to the NE corner, then west 600 feet to the NW corner, then south 1500 feet to the SW corner, then east 600 feet to the place of beginning. The SE corner of the claim at which the location notice is posted bears due west a distance of 1200 feet from the section corner common to Sections 16, 17, 20 and 21, Township 1 South, Range 10 East, G. & S.R.B. & M.

Form MCF100a  
Revised Oct 2018

This form is available from the Arizona Geology Survey and may be reproduced.

AMC457132

**LOCATION NOTICE FOR LODE MINING CLAIM**

Amendment BLM Serial # \_\_\_\_\_

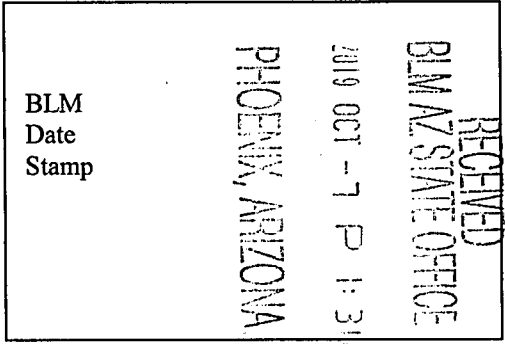
NOTICE IS HEREBY GIVEN that the Arizona Rhyolite No. 8

\_\_\_\_\_ lode mining claim has been located

by Southern Nevada Liteweight, Inc. whose current mailing

address is 7300 Afternoon Street

North Las Vegas, Nevada 89131



The general course of this claim is North-South and it is situated in Pinal

County, Arizona. This claim is 1500 feet in length and 600 feet in width.

20.66 Total Claim Acreage. This claim runs from the location monument on which this location notice is posted on the Northeast corner of the claim approximately 600 feet in a westerly direction to the west end line and 1500 feet in a southerly direction to the south end line. This claim is marked by four monuments, one at each corner of the claim.

The location monument on which this notice is posted is situated within Section 20, Township 1 S, Range 10 E, Gila Salt River Base and Meridian, Arizona and this claim encompasses portions of the following quarter section(s), section(s), Township(s) and Range(s) NE 1/4 of Section 20, T.1 S., R.10 E.

Gila Salt River Base and Meridian, Arizona.

The locality of this claim with reference to some natural object or permanent monument and additional information (if any) concerning its locality are as follows: The NE corner of the claim at which the location notice is posted bears due west a distance of 1360 feet from the section corner common to sections 16, 17, 20, & 21, T 1 S, R.10 E., G.& S.R.B.&M.

\_\_\_\_\_ The above information is shown on the attached map.

DATED AND POSTED on the ground this 19 day of September, 2019.

LOCATOR(s)  AGENT

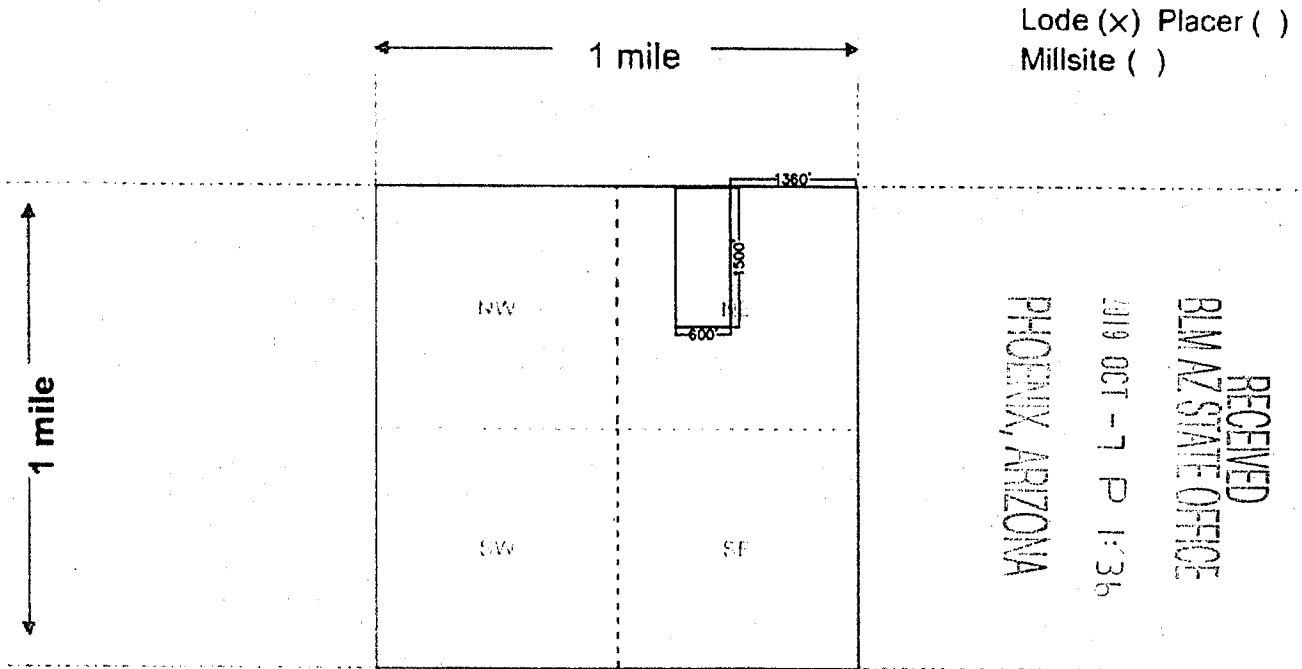
Print Name(s) Vincent Apple

Signature(s)

**Form MCF100**  
Revised July 2014

AMC457133

**MINING CLAIM MAP**



Scale: 1" = 2000 feet



1. The above map depicts the Arizona Rhyolite No. 8 mining claim, which is located in Section (s) 20, Township 1 S, Range 10 E, Gila and Salt River Base and Meridian, Pinal County, Arizona. Total claim acreage is 20.66

2. The type of corner and location monuments used are as follows: 3' Metal Posts

3. The bearings and distances in degrees and feet between claim corners and to a public land survey monument are as depicted on the map.

4. If the claim is a placer or millsite claim with exterior limits conforming to legal subdivisions of the public survey,

provide a legal description of the claim Arizona Rhyolite No. 8: The bearing and distance between corners is as follows: Beginning at the NE corner, a monument at which the location notice is posted, then west 600 feet to the NW corner, then south 1500 feet to the SW corner, then east 600 feet to the SE corner, then north 1500 feet to the place of beginning. The NE corner of the claim at which the location notice is posted bears due west a distance of 1360 feet from the section corner common to Sections 16, 17, 20 and 21, Township 1 South, Range 10 East, G. & S.R.B. & M.

Form MCF100a  
Revised Oct 2018

This form is available from the Arizona Geology Survey and may be reproduced.

AMC457133

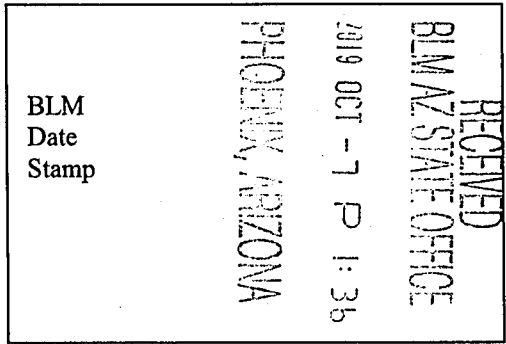
**LOCATION NOTICE FOR LODE MINING CLAIM**

Amendment BLM Serial # \_\_\_\_\_

NOTICE IS HEREBY GIVEN that the Arizona Rhyolite No. 9

\_\_\_\_\_ lode mining claim has been located

by Southern Nevada Liteweight, Inc. whose current mailing  
address is 7300 Afternoon Street  
North Las Vegas, Nevada 89131



The general course of this claim is North-South and it is situated in Pinal

County, Arizona. This claim is 1500 feet in length and 600 feet in width.

20.66 Total Claim Acreage. This claim runs from the location monument on which this location notice is posted on the Northeast corner of the claim approximately 600 feet in a westerly direction to the west end line and 1500 feet in a southerly direction to the south end line. This claim is marked by four monuments, one at each corner of the claim.

The location monument on which this notice is posted is situated within Section 20, Township 1 S, Range 10 E, Gila Salt River Base and Meridian, Arizona and this claim encompasses portions of the following quarter section(s), section(s), Township(s) and Range(s) NE 1/4 of Section 20, T.1 S., R.10 E.

Gila Salt River Base and Meridian, Arizona.

The locality of this claim with reference to some natural object or permanent monument and additional information (if any) concerning its locality are as follows: The NE corner of the claim at which the location notice is posted bears due west a distance of 750 feet from the section corner common to sections 16, 17, 20, & 21, T 1 S, R.10 E., G.& S.R.B.&M.

\_\_\_\_\_ The above information is shown on the attached map.

DATED AND POSTED on the ground this 19 day of September, 20 19.

LOCATOR(s)  AGENT

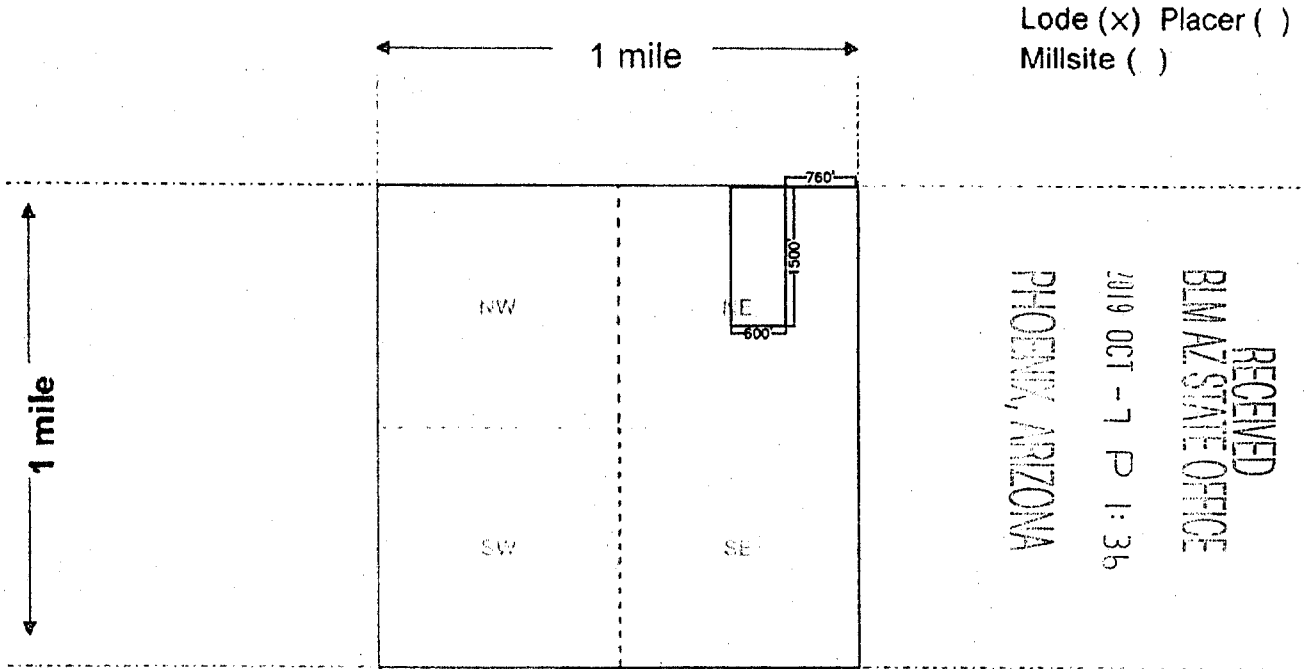
Print Name(s) Vincent Apple

Signature(s)

Form MCF100  
Revised July 2014

AMC457134

**MINING CLAIM MAP**



Lode (x) Placer ( )  
Millsite ( )

RECEIVED  
BLM AZ STATE OFFICE  
2019 OCT - 7 P 1:36  
PHOENIX, ARIZONA

Scale: 1" = 2000 feet



1. The above map depicts the Arizona Rhyolite No. 9 mining claim, which is located in Section (s) 20, Township 1 S, Range 10 E, Gila and Salt River Base and Meridian, Pinal County, Arizona. Total claim acreage is 20.66

2. The type of corner and location monuments used are as follows: 3' Metal Posts

3. The bearings and distances in degrees and feet between claim corners and to a public land survey monument are as depicted on the map.

4. If the claim is a placer or millsite claim with exterior limits conforming to legal subdivisions of the public survey,

provide a legal description of the claim Arizona Rhyolite No. 9: The bearing and distance between corners is as follows: Beginning at the NE corner, a monument at which the location notice is posted, then west 600 feet to the NW corner, then south 1500 feet to the SW corner, then east 600 feet to the SE corner, then north 1500 feet to the place of beginning. The NE corner of the claim at which the location notice is posted bears due west a distance of 760 feet from the section corner common to Sections 16, 17, 20 and 21, Township 1 South, Range 10 East, G. & S.R.B. & M.

Form MCF100a  
Revised Oct 2018

This form is available from the **Arizona Geology Survey** and may be reproduced.

AMC457134



**LOCATION NOTICE FOR LODE MINING CLAIM**

Amendment BLM Serial # \_\_\_\_\_

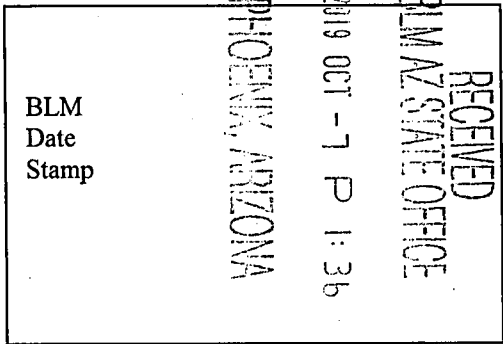
NOTICE IS HEREBY GIVEN that the Arizona Rhyolite No. 10

\_\_\_\_\_ lode mining claim has been located

by Southern Nevada Liteweight, Inc. whose current mailing

address is 7300 Afternoon Street

North Las Vegas, Nevada 89131



The general course of this claim is North-South and it is situated in Pinal

County, Arizona. This claim is 1500 feet in length and 600 feet in width.

20.66 Total Claim Acreage. This claim runs from the location monument on which this location notice is posted on the Northeast corner of the claim approximately 600 feet in a westerly direction to the west end line and 1500 feet in a southerly direction to the south end line. This claim is marked by four monuments, one at each corner of the claim.

The location monument on which this notice is posted is situated within Section 20, Township 1 S, Range 10 E, Gila Salt River Base and Meridian, Arizona and this claim encompasses portions of the following quarter section(s), section(s), Township(s) and Range(s) NE 1/4 of Section 20, T.1 S., R.10 E.

Gila Salt River Base and Meridian, Arizona.

The locality of this claim with reference to some natural object or permanent monument and additional information (if any) concerning its locality are as follows: The NE corner of the claim at which the location notice is posted bears due west a distance of 160 feet from the section corner common to sections 16, 17, 20, & 21, T 1 S, R.10 E., G.& S.R.B.&M.

\_\_\_\_\_ The above information is shown on the attached map.

DATED AND POSTED on the ground this 19 day of September, 20 19.

LOCATOR(s)  AGENT

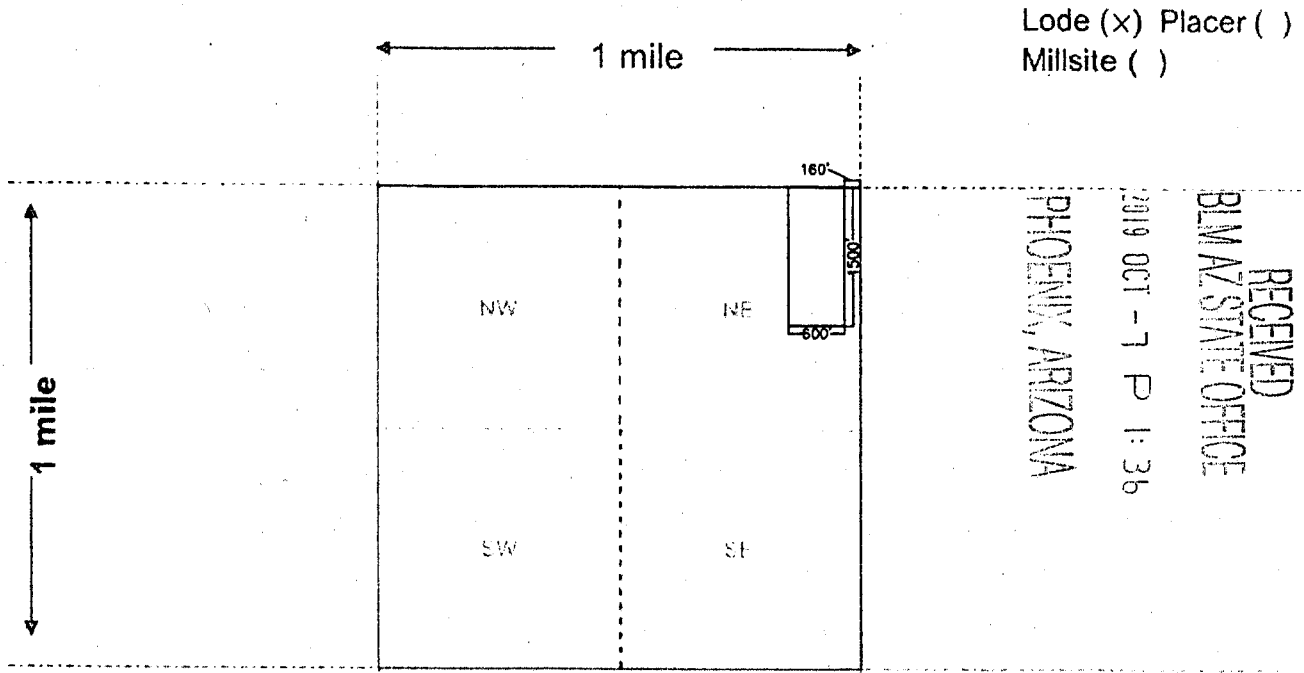
Print Name(s) Vincent Apple

Signature(s)

AMC457135

Form MCF100 Revised July 2014

**MINING CLAIM MAP**



Scale: 1" = 2000 feet



- The above map depicts the Arizona Rhyolite No. 10 mining claim, which is located in Section (s) 20, Township 1 S, Range 10 E, Gila and Salt River Base and Meridian, Pinal County, Arizona. Total claim acreage is 20.66
- The type of corner and location monuments used are as follows: 3' Metal Posts

3. The bearings and distances in degrees and feet between claim corners and to a public land survey monument are as depicted on the map.

4. If the claim is a placer or millsite claim with exterior limits conforming to legal subdivisions of the public survey,

provide a legal description of the claim Arizona Rhyolite No. 10: The bearing and distance between corners is as follows: Beginning at the NE corner, a monument at which the location notice is posted, then west 600 feet to the NW corner, then south 1500 feet to the SW corner, then east 600 feet to the SE corner, then north 1500 feet to the place of beginning. The NE corner of the claim at which the location notice is posted bears due west a distance of 160 feet from the section corner common to Sections 16, 17, 20 and 21, Township 1 South, Range 10 East, G. & S.R.B. & M.

Form MCF100a  
Revised Oct 2018

This form is available from the **Arizona Geology Survey** and may be reproduced.

AMC457135

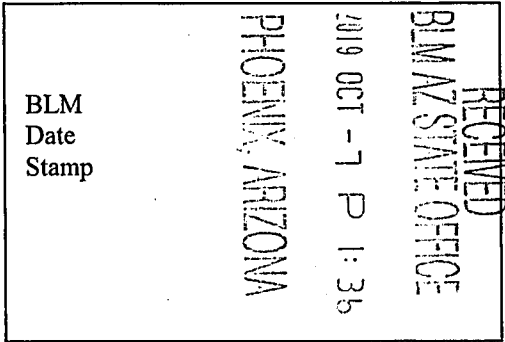
**LOCATION NOTICE FOR LODE MINING CLAIM**

Amendment BLM Serial # \_\_\_\_\_

NOTICE IS HEREBY GIVEN that the Arizona Rhyolite No. 11

\_\_\_\_\_ lode mining claim has been located

by Southern Nevada Liteweight, Inc. whose current mailing address is 7300 Afternoon Street  
North Las Vegas, Nevada 89131



The general course of this claim is West-East and it is situated in Pinal

County, Arizona. This claim is 1500 feet in length and 600 feet in width.

20.66 Total Claim Acreage. This claim runs from the location monument on which this location notice is posted on the Northeast corner of the claim approximately 600 feet in a southerly direction to the south end line and 1500 feet in a westernly direction to the west end line. This claim is marked by four monuments, one at each corner of the claim.

The location monument on which this notice is posted is situated within Section 20, Township 1 S, Range 10 E, Gila Salt River Base and Meridian, Arizona and this claim encompasses portions of the following quarter section(s), section(s), Township(s) and Range(s) NE 1/4 of Section 20, T.1 S., R.10 E.

Gila Salt River Base and Meridian, Arizona.

The locality of this claim with reference to some natural object or permanent monument and additional information (if any) concerning its locality are as follows: The NE corner of the claim at which the location notice is posted bears due south a distance of 160 feet from the section corner common to sections 16, 17, 20, & 21, T 1 S, R.10 E., G.& S.R.B.&M.

\_\_\_\_\_ The above information is shown on the attached map.

DATED AND POSTED on the ground this 19 day of September, 20 19.

LOCATOR(s)  AGENT

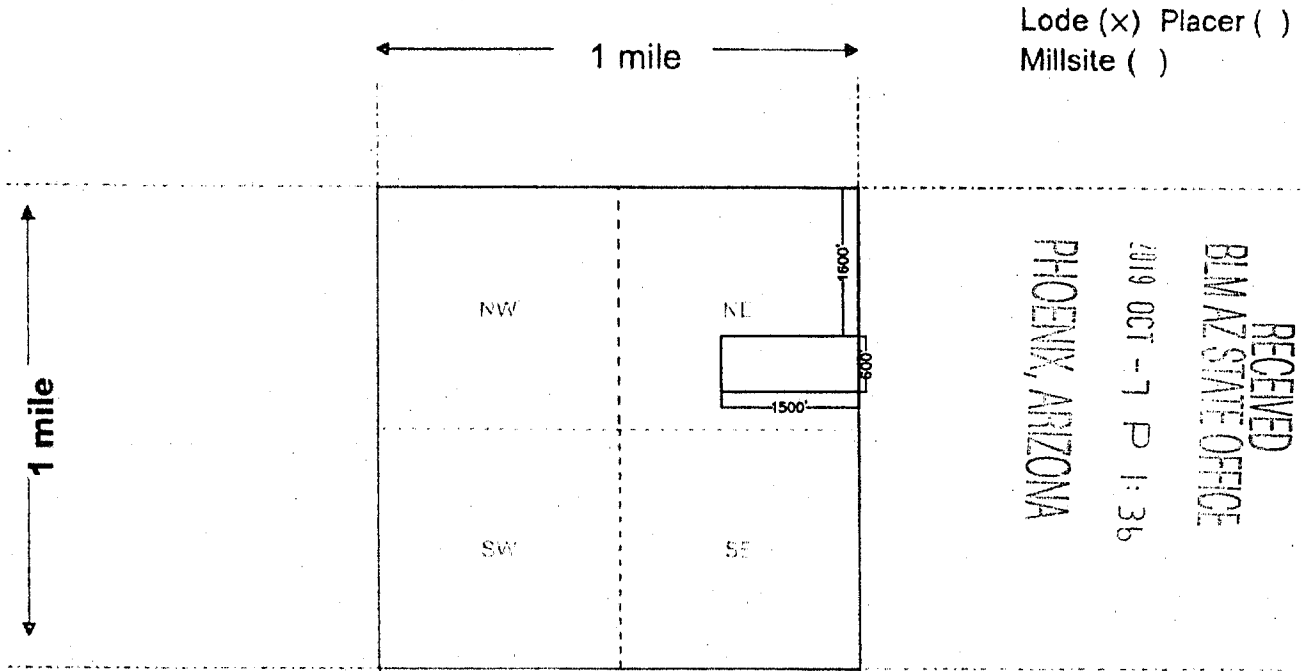
Print Name(s) Vincent Apple

Signature(s) [Signature]

Form MCF100  
Revised July 2014

AMC457136

**MINING CLAIM MAP**



Scale: 1" = 2000 feet



- The above map depicts the Arizona Rhyolite No. 11 mining claim, which is located in Section (s) 20 Township 1 S, Range 10 E, Gila and Salt River Base and Meridian, Pinal County, Arizona. Total claim acreage is 20.66
- The type of corner and location monuments used are as follows: 3' Metal Posts

3. The bearings and distances in degrees and feet between claim corners and to a public land survey monument are as depicted on the map.

4. If the claim is a placer or millsite claim with exterior limits conforming to legal subdivisions of the public survey,

provide a legal description of the claim Arizona Rhyolite No. 11: The bearing and distance between corners is as follows: Beginning at the NE corner, a monument at which the location notice is posted, then west 1500 feet to the NW corner, then south 600 feet to the SW corner, then east 1500 feet to the SE corner, then north 600 feet to the place of beginning. The NE corner of the claim at which the location notice is posted bears due south a distance of 1500 feet from the section corner common to Sections 16, 17, 20 and 21, Township 1 South, Range 10 East, G. & S.R.B. & M.

Form MCF100a  
Revised Oct 2018

This form is available from the **Arizona Geology Survey** and may be reproduced.

ANC457136

**LOCATION NOTICE FOR LODE MINING CLAIM**

Amendment BLM Serial # \_\_\_\_\_

NOTICE IS HEREBY GIVEN that the Arizona Rhyolite No.12  
\_\_\_\_\_ lode mining claim has been located  
by Southern Nevada Liteweight, Inc. whose current mailing  
address is 7300 Afternoon Street  
North Las Vegas, Nevada 89131

RECEIVED  
BLM AZ STATE OFFICE  
2019 OCT -7 P 1:36  
PHOENIX, ARIZONA  
BLM  
Date  
Stamp

The general course of this claim is North-South and it is situated in Pinal  
County, Arizona. This claim is 1500 feet in length and 600 feet in width.

20.66 Total Claim Acreage. This claim runs from the location monument on which this location notice  
is posted on the Northwest corner of the claim approximately 600 feet in a easterly direction to the  
east end line and 1500 feet in a southerly direction to the south end line. This claim is  
marked by four monuments, one at each corner of the claim.

The location monument on which this notice is posted is situated within Section 21, Township 1  
S, Range 10 E, Gila Salt River Base and Meridian, Arizona and this claim encompasses portions  
of the following quarter section(s), section(s), Township(s) and Range(s) NW 1/4 of Section 21, T.1 S., R.10 E.

Gila Salt River Base and Meridian, Arizona.

The locality of this claim with reference to some natural object or permanent monument and additional information  
(if any) concerning its locality are as follows: The NW corner of the claim at which this location notice is posted bears due east a  
distance of 1040 feet from the section corner common to sections 16, 17, 20, & 21, T 1 S, R.10 E., G.& S.R.B.&M.

\_\_\_\_\_ The above information is shown on the attached map.

DATED AND POSTED on the ground this 19 day of September, 20 19.

LOCATOR(s)  AGENT

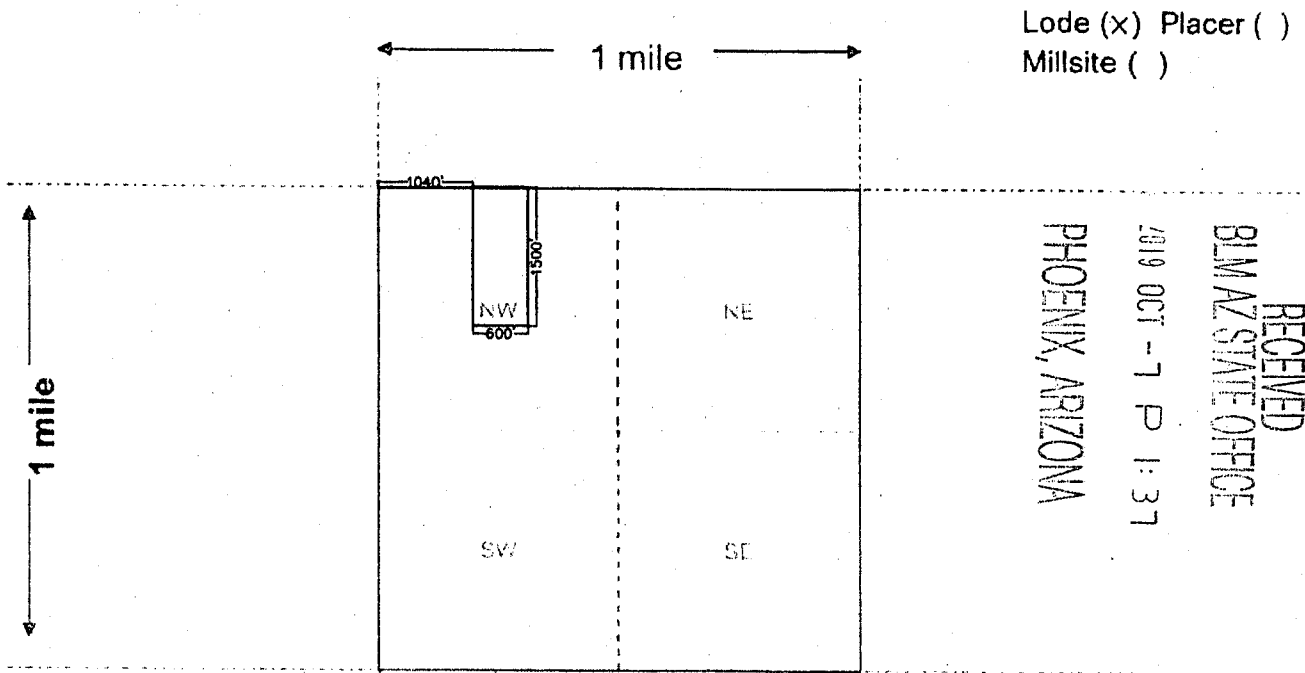
Print Name(s) Vincent Apple

Signature(s) 

Form MCF100  
Revised July 2014

AMC457137

**MINING CLAIM MAP**



Scale: 1" = 2000 feet



1. The above map depicts the Arizona Rhyolite No. 12 mining claim, which is located in Section (s) 21, Township 1 S, Range 10 E, Gila and Salt River Base and Meridian, Pinal County, Arizona. Total claim acreage is 20.66

2. The type of corner and location monuments used are as follows: 3' Metal Posts

3. The bearings and distances in degrees and feet between claim corners and to a public land survey monument are as depicted on the map.

4. If the claim is a placer or millsite claim with exterior limits conforming to legal subdivisions of the public survey,

provide a legal description of the claim Arizona Rhyolite No. 12: The bearing and distance between corners is as follows: Beginning at the NW corner, a monument at which the location notice is posted, then south 1500 feet to the SW corner, then east 600 feet to the SE corner, then north 1500 feet to the NE corner, then west 800 feet to the place of beginning. The NW corner of the claim at which the location notice is posted bears due east a distance of 1040 feet from the section corner common to Sections 16, 17, 20 and 21, Township 1 South, Range 10 East, G. & S.R.B. & M.

Form MCF100a  
Revised Oct 2018

This form is available from the **Arizona Geology Survey** and may be reproduced.

AMC457137

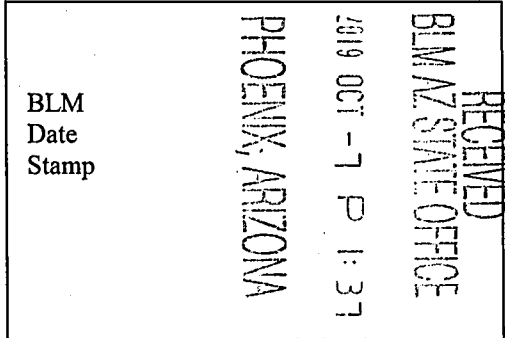
**LOCATION NOTICE FOR LODE MINING CLAIM**

Amendment BLM Serial # \_\_\_\_\_

NOTICE IS HEREBY GIVEN that the Arizona Rhyolite No.13

\_\_\_\_\_ lode mining claim has been located

by Southern Nevada Liteweight, Inc. whose current mailing  
address is 7300 Afternoon Street  
North Las Vegas, Nevada 89131



The general course of this claim is North-South and it is situated in Pinal

County, Arizona. This claim is 1500 feet in length and 600 feet in width.

20.66 Total Claim Acreage. This claim runs from the location monument on which this location notice is posted on the Northwest corner of the claim approximately 600 feet in a easterly direction to the east end line and 1500 feet in a southernly direction to the south end line. This claim is marked by four monuments, one at each corner of the claim.

The location monument on which this notice is posted is situated within Section 21, Township 1 S, Range 10 E, Gila Salt River Base and Meridian, Arizona and this claim encompasses portions of the following quarter section(s), section(s), Township(s) and Range(s) NW 1/4 of Section 21, T.1 S., R.10 E.

Gila Salt River Base and Meridian, Arizona.

The locality of this claim with reference to some natural object or permanent monument and additional information (if any) concerning its locality are as follows: The NW corner of the claim at which this location notice is posted bears due east a distance of 1640 feet from the section corner common to sections 16, 17, 20, & 21, T 1 S, R.10 E., G.& S.R.B.&M.

\_\_\_\_\_ The above information is shown on the attached map.

DATED AND POSTED on the ground this 19 day of September, 20 19.

LOCATOR(s)  AGENT

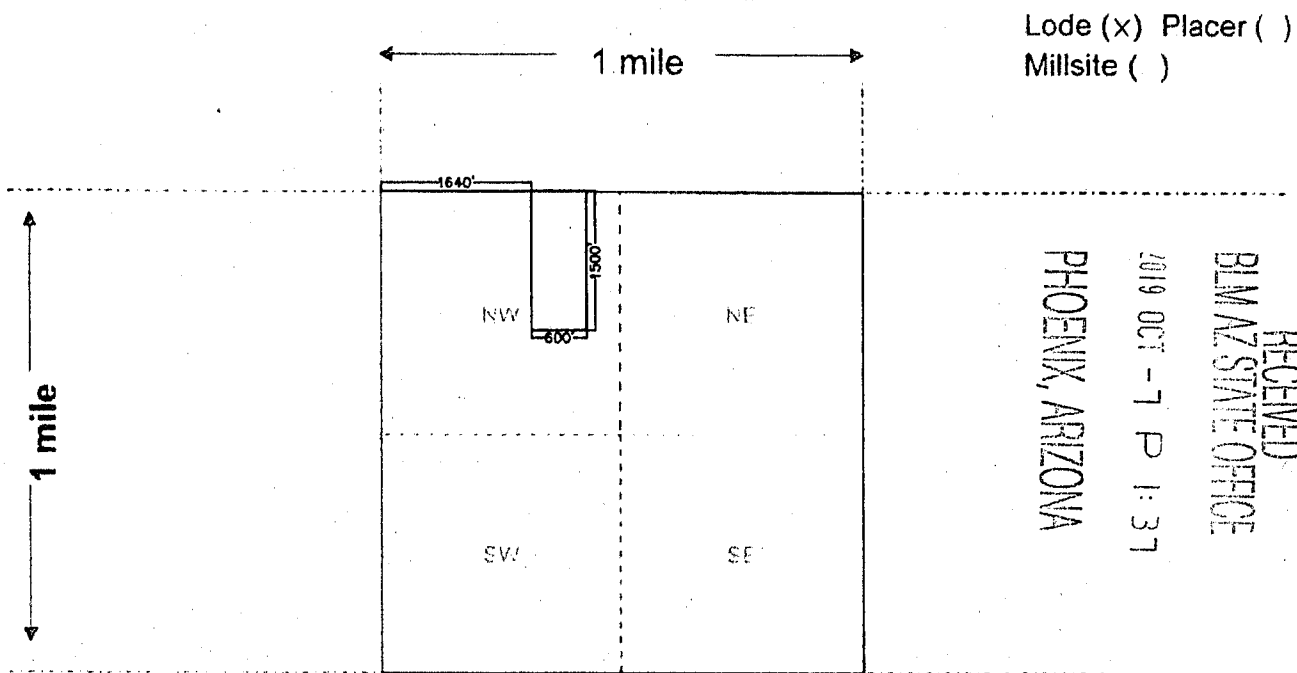
Print Name(s) Vincent Apple

Signature(s) [Handwritten Signature]

Form MCF100  
Revised July 2014

AR0457138

**MINING CLAIM MAP**



RECEIVED  
BLM AZ STATE OFFICE  
2019 OCT - 7 P 1:37  
PHOENIX, ARIZONA

Scale: 1" = 2000 feet



1. The above map depicts the Arizona Rhyolite No. 13 mining claim, which is located in Section (s) 21, Township 1 S, Range 10 E, Gila and Salt River Base and Meridian, Pinal County, Arizona. Total claim acreage is 20.66

2. The type of corner and location monuments used are as follows: 3' Metal Posts

3. The bearings and distances in degrees and feet between claim corners and to a public land survey monument are as depicted on the map.

4. If the claim is a placer or millsite claim with exterior limits conforming to legal subdivisions of the public survey,

provide a legal description of the claim Arizona Rhyolite No. 13: The bearing and distance between corners is as follows: Beginning at the NW corner, a monument at which the location notice is posted, then south 1500 feet to the SW corner, then east 600 feet to the SE corner, then north 1500 feet to the NE corner, then west 600 feet to the place of beginning. The NW corner of the claim at which the location notice is posted bears due east a distance of 1640 feet from the section corner common to Sections 16, 17, 20 and 21, Township 1 South, Range 10 East, G. & S.R.B. & M.

Form MCF100a  
Revised Oct 2018

This form is available from the Arizona Geology Survey and may be reproduced.

AMC457138



**LOCATION NOTICE FOR LODE MINING CLAIM**

Amendment BLM Serial # \_\_\_\_\_

NOTICE IS HEREBY GIVEN that the Arizona Rhyolite No.14

\_\_\_\_\_ lode mining claim has been located

by Southern Nevada Liteweight, Inc. whose current mailing

address is 7300 Afternoon Street

North Las Vegas, Nevada 89131

BLM  
Date  
Stamp

RECEIVED  
BLM AZ STATE OFFICE  
2019 OCT - 7 P 1:37  
PHOENIX, ARIZONA

The general course of this claim is North-South and it is situated in Pinal

County, Arizona. This claim is 1500 feet in length and 600 feet in width.

20.66 Total Claim Acreage. This claim runs from the location monument on which this location notice is posted on the Northwest corner of the claim approximately 600 feet in a easterly direction to the east end line and 1500 feet in a southerly direction to the south end line. This claim is marked by four monuments, one at each corner of the claim.

The location monument on which this notice is posted is situated within Section 21, Township 1 S, Range 10 E, Gila Salt River Base and Meridian, Arizona and this claim encompasses portions of the following quarter section(s), section(s), Township(s) and Range(s) NW 1/4 of Section 21, T.1 S., R.10 E.;  
NE 1/4 of Section 21, T.1 S., R.10 E.

Gila Salt River Base and Meridian, Arizona.

The locality of this claim with reference to some natural object or permanent monument and additional information (if any) concerning its locality are as follows: The NW corner of the claim at which this location notice is posted bears due east a distance of 2240 feet from the section corner common to sections 16, 17, 20, & 21, T 1 S, R.10 E., G.& S.R.B.&M.

\_\_\_\_\_ The above information is shown on the attached map.

DATED AND POSTED on the ground this 19 day of September, 20 19.

LOCATOR(s)  AGENT

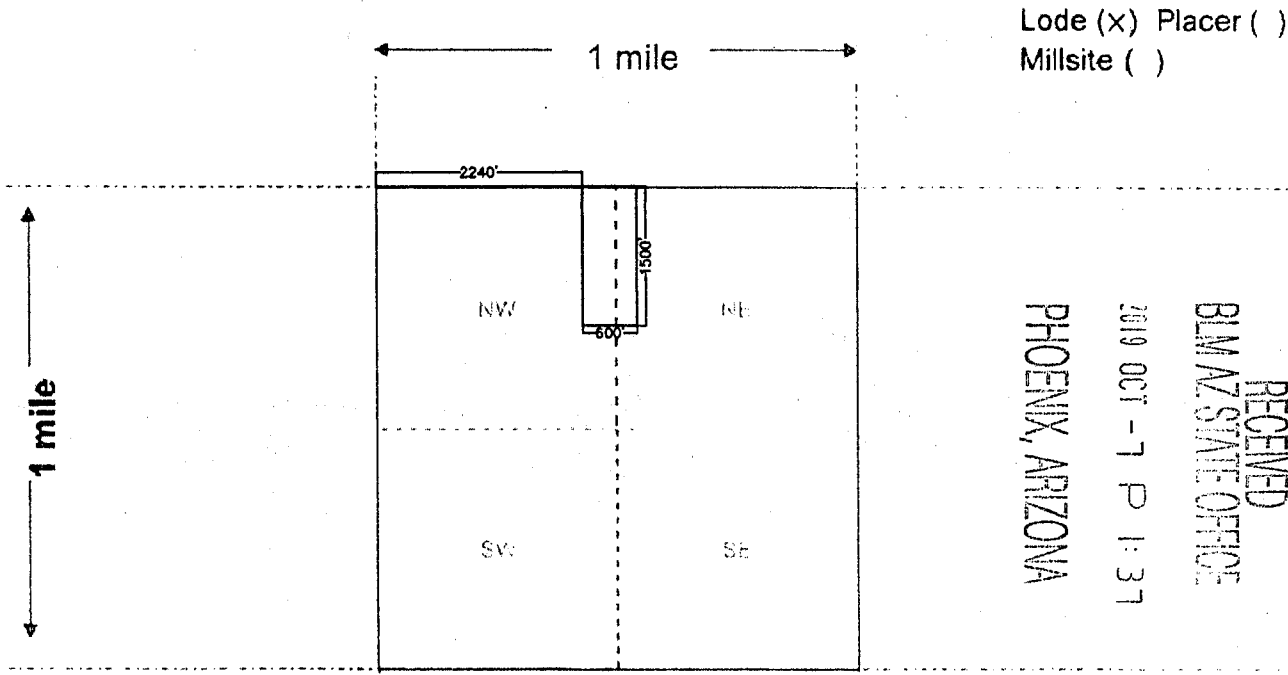
Print Name(s) Vincent Apple

Signature(s) [Signature]

Form MCF100  
Revised July 2014

ANCU57139

**MINING CLAIM MAP**



Scale: 1" = 2000 feet



1. The above map depicts the Arizona Rhyolite No. 14 mining claim, which is located in Section (s) 21, Township 1 S, Range 10 E, Gila and Salt River Base and Meridian, Pinal County, Arizona. Total claim acreage is 20.66

2. The type of corner and location monuments used are as follows: 3' Metal Posts

3. The bearings and distances in degrees and feet between claim corners and to a public land survey monument are as depicted on the map.

4. If the claim is a placer or millsite claim with exterior limits conforming to legal subdivisions of the public survey,

provide a legal description of the claim Arizona Rhyolite No. 14: The bearing and distance between corners is as follows: Beginning at the NW corner, a monument at which the location notice is posted, then south 1500 feet to the SW corner, then east 600 feet to the SE corner, then north 1500 feet to the NE corner, then west 600 feet to the place of beginning. The NW corner of the claim at which the location notice is posted bears due east a distance of 2240 feet from the section corner common to Sections 15, 17, 20 and 21, Township 1 South, Range 10 East, G. & S.R.B. & M.

Form MCF100a  
Revised Oct 2018

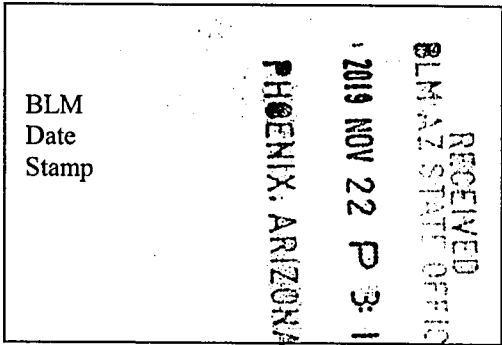
This form is available from the Arizona Geology Survey and may be reproduced.

AN0457139

**LOCATION NOTICE FOR LODE MINING CLAIM**

Amendment BLM Serial # AMC457140

NOTICE IS HEREBY GIVEN that the Queen Creek Strike No.1  
\_\_\_\_\_ lode mining claim has been located  
by Southern Nevada Liteweight, Inc. whose current mailing  
address is 7300 Afternoon Street  
North Las Vegas, Nevada 89131



The general course of this claim is North-South and it is situated in Pinal  
County, Arizona. This claim is 1500 feet in length and 600 feet in width.

20.66 Total Claim Acreage. This claim runs from the location monument on which this location notice  
is posted on the Northwest corner of the claim approximately 600 feet in a easterly direction to the  
east end line and 1500 feet in a southerly direction to the south end line. This claim is  
marked by four monuments, one at each corner of the claim.

The location monument on which this notice is posted is situated within Section 20, Township 1  
S, Range 10 E, Gila Salt River Base and Meridian, Arizona and this claim encompasses portions  
of the following quarter section(s), section(s), Township(s) and Range(s) NE 1/4 of Section 20, T.1 S., R.10 E.

Gila Salt River Base and Meridian, Arizona.

The locality of this claim with reference to some natural object or permanent monument and additional information  
(if any) concerning its locality are as follows: The NW corner of the claim at which the location notice is posted  
bears due east a distance of 2700 feet from the section corner common to sections 17, 18, 19, & 20, T 1 S,  
R.10 E., G.&S.R.B.&M.

The above information is shown on the attached map.

DATED AND POSTED on the ground this 31 day of October, 2019.

LOCATOR(s)  AGENT

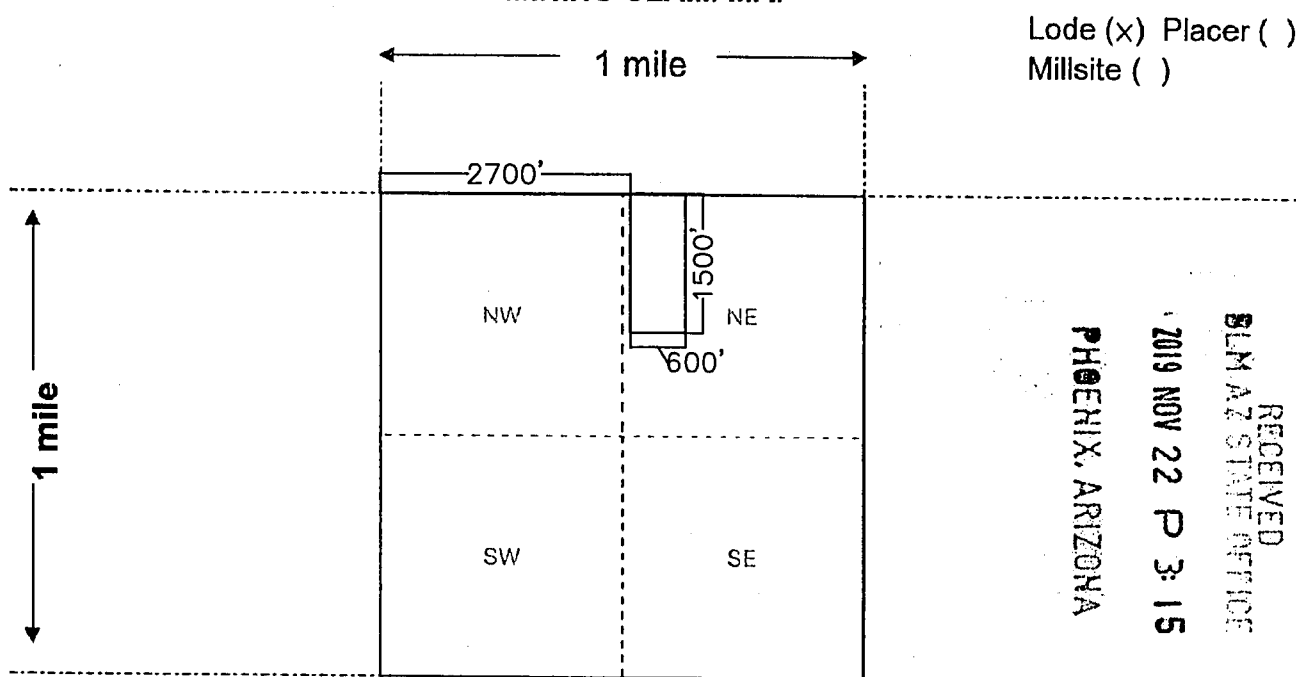
Print Name(s) Vincent Apple

Signature(s) [Handwritten Signature]

Form MCF100  
Revised July 2014

AMC457140

**MINING CLAIM MAP**



Lode (x) Placer ( )  
Millsite ( )

RECEIVED  
BLM AZ STATE OFFICE  
2019 NOV 22 P 3:15  
PHOENIX, ARIZONA

Scale: 1" = 2000 feet



1. The above map depicts the Queen Creek Strike No. 1 mining claim, which is located in Section (s) 20, Township 1 S, Range 10 E, Gila and Salt River Base and Meridian, Pinal County, Arizona. Total claim acreage is 20.66
2. The type of corner and location monuments used are as follows: 3' Metal Posts
3. The bearings and distances in degrees and feet between claim corners and to a public land survey monument are as depicted on the map.
4. If the claim is a placer or millsite claim with exterior limits conforming to legal subdivisions of the public survey, provide a legal description of the claim SEE ATTACHED

Form MCF100a  
Revised Oct 2018

This form is available from the **Arizona Geology Survey** and may be reproduced.

Amc 457140

## Legal Description of Claim Attachment

Mining Claim: Queen Creek Strike No. 1

The bearing and distance between corners is as follows: Beginning at the NW Corner, a monument at which the location notice is posted, then south 1500 feet to the SW corner, then east 600 feet to the SE corner, then 1500 feet to the NE corner, then west 600 feet to the place at the beginning. The NW corner of the claim at which the location notice is posted bears due east a distance of 2700 feet from the section corner common to Sections 17, 18, 19 and 20 Township 1 South, Range 10 East, G.& S.R.B.&M.

RECEIVED  
BLM AZ STATE OFFICE  
2019 NOV 22 P 3: 15  
PHOENIX, ARIZONA

*Amc 457140*

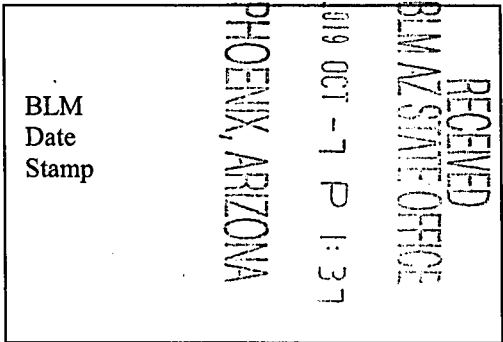
**LOCATION NOTICE FOR LODE MINING CLAIM**

Amendment BLM Serial # \_\_\_\_\_

NOTICE IS HEREBY GIVEN that the Queen Creek Strike No.1

\_\_\_\_\_ lode mining claim has been located

by Southern Nevada Liteweight, Inc. whose current mailing  
address is 7300 Afternoon Street  
North Las Vegas, Nevada 89131



The general course of this claim is North-South and it is situated in Pinal

County, Arizona. This claim is 1500 feet in length and 600 feet in width.

20.66 Total Claim Acreage. This claim runs from the location monument on which this location notice is posted on the Northwest corner of the claim approximately 600 feet in a easterly direction to the east end line and 1500 feet in a southerly direction to the south end line. This claim is marked by four monuments, one at each corner of the claim.

The location monument on which this notice is posted is situated within Section 20, Township 1 S, Range 10 E, Gila Salt River Base and Meridian, Arizona and this claim encompasses portions of the following quarter section(s), section(s), Township(s) and Range(s) NE 1/4 of Section 20, T.1 S., R.10 E.

Gila Salt River Base and Meridian, Arizona.

The locality of this claim with reference to some natural object or permanent monument and additional information (if any) concerning its locality are as follows: The NW corner of the claim at which the location notice is posted bears due east a distance of 2700 feet from the section corner common to sections 16, 17, 20, & 21, T 1 S, R.10 E., G.& S.R.B.&M.

\_\_\_\_\_ The above information is shown on the attached map.

DATED AND POSTED on the ground this 19 day of September, 20 19

LOCATOR(s)  AGENT

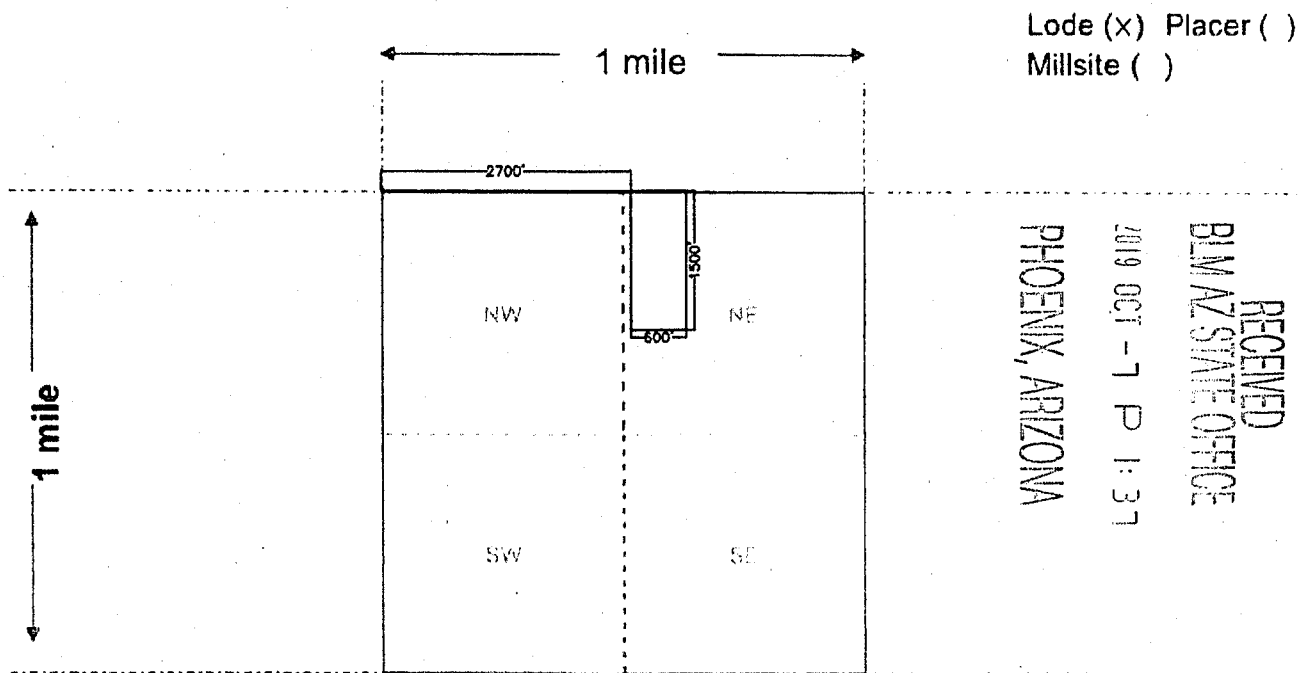
Print Name(s) Vincent Apple

Signature(s) [Handwritten Signature]

Form MCF100  
Revised July 2014

AMC457140

**MINING CLAIM MAP**



Lode (x) Placer ( )  
 Millsite ( )

RECEIVED  
 BLM AZ STATE OFFICE  
 2019 OCT - 7 P 1:37  
 PHOENIX, ARIZONA

Scale: 1" = 2000 feet



1. The above map depicts the Queen Creek Strike No. 1 mining claim, which is located in Section (s) 20, Township 1 S, Range 10 E, Gila and Salt River Base and Meridian, Pinal County, Arizona. Total claim acreage is 20.66

2. The type of corner and location monuments used are as follows: 3' Metal Posts

3. The bearings and distances in degrees and feet between claim corners and to a public land survey monument are as depicted on the map.

4. If the claim is a placer or millsite claim with exterior limits conforming to legal subdivisions of the public survey,

provide a legal description of the claim Queen Creek Strike No. 1: The bearing and distance between corners is as follows: Beginning at the NW Corner, a monument at which the location notice is posted, then south 1500 feet to the SW corner, then east 600 feet to the SE corner, then 1500 feet to the NE corner, then west 800 feet to the place at the beginning. The NW corner of the claim at which the location notice is posted bears due east a distance of 2700 feet from the section corner common to Sections 16, 17, 20 & 21, Township 1 South, Range 10 East, G & S.R.B. & M.

Form MCF100a  
 Revised Oct 2018

This form is available from the Arizona Geology Survey and may be reproduced.

AMC457140

LOCATION NOTICE FOR LODE MINING CLAIM

Amendment BLM Serial # AMC457141

NOTICE IS HEREBY GIVEN that the Queen Creek Strike No.2  
\_\_\_\_\_ lode mining claim has been located  
by Southern Nevada Liteweight, Inc. whose current mailing  
address is 7300 Afternoon Street  
North Las Vegas, Nevada 89131

RECEIVED  
BLM AZ STATE OFFICE  
2019 NOV 22 P 3:15  
PHOENIX, ARIZONA

The general course of this claim is North-South and it is situated in Pinal  
County, Arizona. This claim is 1500 feet in length and 600 feet in width.

20.66 Total Claim Acreage. This claim runs from the location monument on which this location notice  
is posted on the Northwest corner of the claim approximately 600 feet in a easterly direction to the  
east end line and 1500 feet in a southerly direction to the south end line. This claim is  
marked by four monuments, one at each corner of the claim.

The location monument on which this notice is posted is situated within Section 20, Township 1  
S, Range 10 E, Gila Salt River Base and Meridian, Arizona and this claim encompasses portions  
of the following quarter section(s), section(s), Township(s) and Range(s) NE 1/4 of Section 20, T.1 S., R.10 E.  
NW 1/4 of Section 20, T.1 S., R.10 E.

Gila Salt River Base and Meridian, Arizona.

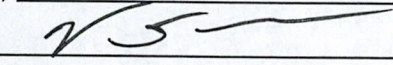
The locality of this claim with reference to some natural object or permanent monument and additional information  
(if any) concerning its locality are as follows: The NW corner of the claim at which the location notice is posted  
bears due east a distance of 2100 feet from the section corner common to sections 17, 18, 19, & 20, T 1 S,  
R.10 E., G. & S.R.B.&M.

\_\_\_\_\_ The above information is shown on the attached map.

DATED AND POSTED on the ground this 31 day of October, 2019.

LOCATOR(s)  AGENT

Print Name(s) Vincent Apple

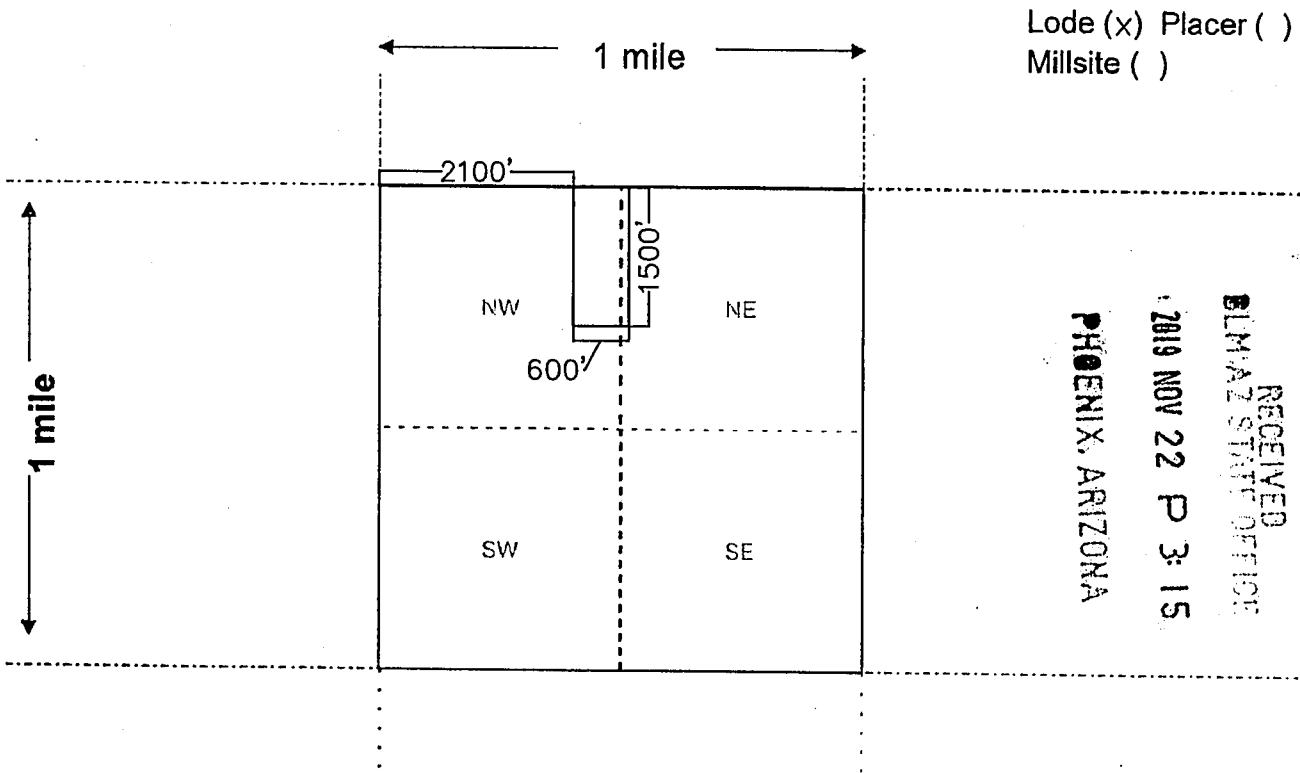
Signature(s) 

Form MCF100  
Revised July 2014

AMC457141



**MINING CLAIM MAP**



Amc 457141

1. The above map depicts the Queen Creek Strike No. 2 mining claim, which is located in Section (s) 20, Township 1 S, Range 10 E, Gila and Salt River Base and Meridian, Pinal County, Arizona. Total claim acreage is 20.66
2. The type of corner and location monuments used are as follows: 3' Metal Posts
3. The bearings and distances in degrees and feet between claim corners and to a public land survey monument are as depicted on the map.
4. If the claim is a placer or millsite claim with exterior limits conforming to legal subdivisions of the public survey, provide a legal description of the claim SEE ATTACHED

**Form MCF100a**  
Revised Oct 2018

## Legal Description of Claim Attachment

Mining Claim: Queen Creek Strike No. 2

The bearing and distance between corners is as follows: Beginning at the NW Corner, a monument at which the location notice is posted, then south 1500 feet to the SW corner, then east 600 feet to the SE corner, then 1500 feet to the NE corner, then west 600 feet to the place at the beginning. The NW corner of the claim at which the location notice is posted bears due east a distance of 2100 feet from the section corner common to Sections 17, 18, 19 and 20 Township 1 South, Range 10 East, G.& S.R.B.&M.

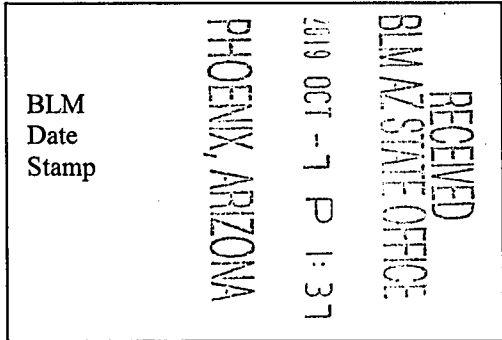
RECEIVED  
BLM AZ STATE OFFICE  
2019 NOV 22 P 3:15  
PHOENIX, ARIZONA

Amc 457141

**LOCATION NOTICE FOR LODE MINING CLAIM**

Amendment BLM Serial # \_\_\_\_\_

NOTICE IS HEREBY GIVEN that the Queen Creek Strike No.2  
\_\_\_\_\_ lode mining claim has been located  
by Southern Nevada Liteweight, Inc. whose current mailing  
address is 7300 Afternoon Street  
North Las Vegas, Nevada 89131



The general course of this claim is North-South and it is situated in Pinal  
County, Arizona. This claim is 1500 feet in length and 600 feet in width.

20.66 Total Claim Acreage. This claim runs from the location monument on which this location notice  
is posted on the Northwest corner of the claim approximately 600 feet in a easterly direction to the  
east end line and 1500 feet in a southerly direction to the south end line. This claim is  
marked by four monuments, one at each corner of the claim.

The location monument on which this notice is posted is situated within Section 20, Township 1  
S, Range 10 E, Gila Salt River Base and Meridian, Arizona and this claim encompasses portions  
of the following quarter section(s), section(s), Township(s) and Range(s) NE 1/4 of Section 20, T.1 S., R.10 E.  
NW 1/4 of Section 20, T.1 S., R.10 E.

Gila Salt River Base and Meridian, Arizona.

The locality of this claim with reference to some natural object or permanent monument and additional information  
(if any) concerning its locality are as follows: The NW corner of the claim at which the location notice is posted bears due east a  
distance of 2100 feet from the section corner common to sections 16, 17, 20, & 21, T 1 S, R.10 E., G.& S.R.B.&M.

\_\_\_\_\_ The above information is shown on the attached map.

DATED AND POSTED on the ground this 19 day of September, 20 19.

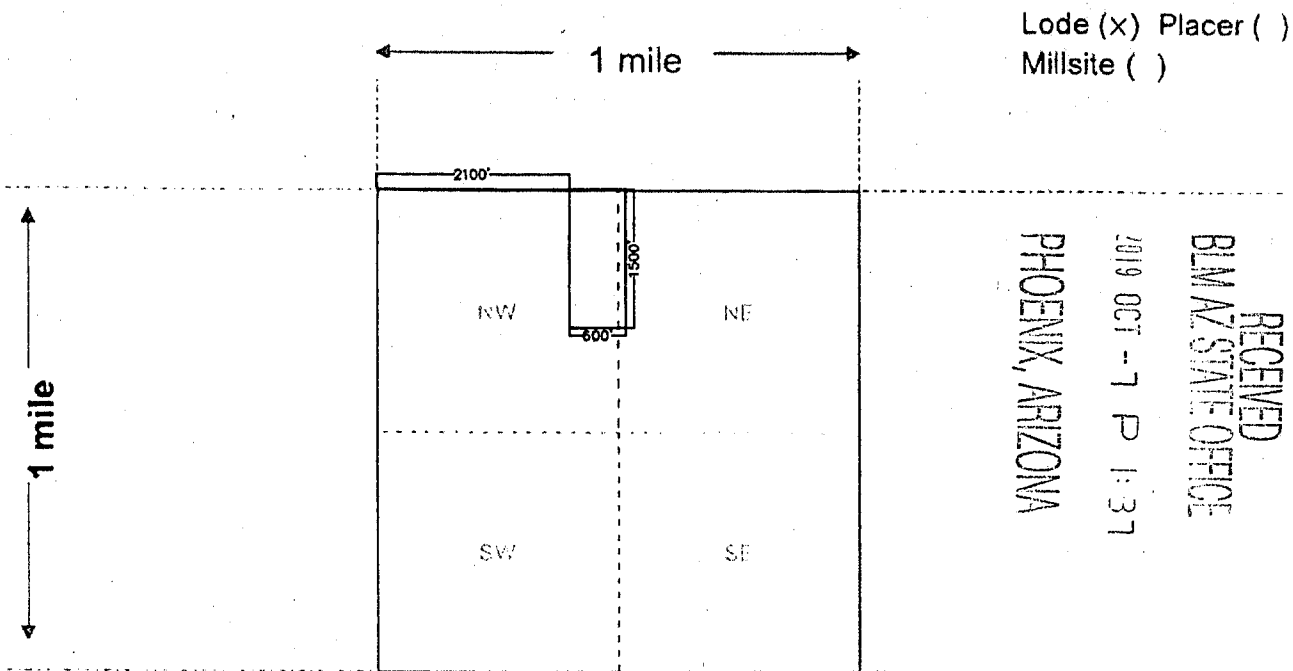
LOCATOR(s)  AGENT

Print Name(s) Vincent Apple

Signature(s) [Signature]

AMC457141

**MINING CLAIM MAP**



Scale: 1" = 2000 feet



1. The above map depicts the Queen Creek Strike No. 2 mining claim, which is located in Section (s) 20, Township 1 S, Range 10 E, Gila and Salt River Base and Meridian, Pinal County, Arizona. Total claim acreage is 20.66

2. The type of corner and location monuments used are as follows: 3' Metal Posts

3. The bearings and distances in degrees and feet between claim corners and to a public land survey monument are as depicted on the map.

4. If the claim is a placer or millsite claim with exterior limits conforming to legal subdivisions of the public survey,

provide a legal description of the claim Queen Creek Strike No. 2: The bearing and distance between corners is as follows: Beginning at the NW Corner, a monument at which the location notice is posted, then south 1500 feet to the SW corner, then east 600 feet to the SE corner, then 1500 feet to the NE corner, then west 600 feet to the place at the beginning. The NW corner of the claim at which the location notice is posted bears due east a distance of 2100 feet from the section corner common to Sections 16, 17, 20 & 21, Township 1 South, Range 10 East, G. & S.R.B. & M.

Form MCF100a  
Revised Oct 2018

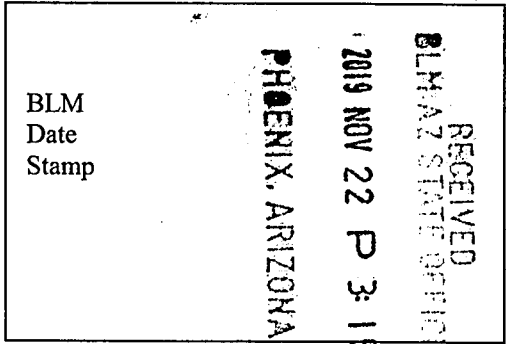
This form is available from the **Arizona Geology Survey** and may be reproduced.

AR0457141

**LOCATION NOTICE FOR LODE MINING CLAIM**

■ Amendment BLM Serial # AMC457142

NOTICE IS HEREBY GIVEN that the Queen Creek Strike No.3  
lode mining claim has been located  
by Southern Nevada Liteweight, Inc. whose current mailing  
address is 7300 Afternoon Street  
North Las Vegas, Nevada 89131



The general course of this claim is North-South and it is situated in Pinal  
County, Arizona. This claim is 1500 feet in length and 600 feet in width.

20.66 Total Claim Acreage. This claim runs from the location monument on which this location notice  
is posted on the Northwest corner of the claim approximately 600 feet in a easterly direction to the  
east end line and 1500 feet in a southernly direction to the south end line. This claim is  
marked by four monuments, one at each corner of the claim.

The location monument on which this notice is posted is situated within Section 20, Township 1  
S, Range 10 E, Gila Salt River Base and Meridian, Arizona and this claim encompasses portions  
of the following quarter section(s), section(s), Township(s) and Range(s) NW 1/4 of Section 20, T.1 S., R.10 E.

Gila Salt River Base and Meridian, Arizona.

The locality of this claim with reference to some natural object or permanent monument and additional information  
(if any) concerning its locality are as follows: The NW corner of the claim at which the location notice is posted bears  
bears due east a distance of 1500 feet from the section corner common to sections 17, 18, 19, & 20, T 1 S,  
R.10 E., G. & S.R.B.&M.

The above information is shown on the attached map.

DATED AND POSTED on the ground this 31 day of October, 20 19.

■ LOCATOR(s) □ AGENT

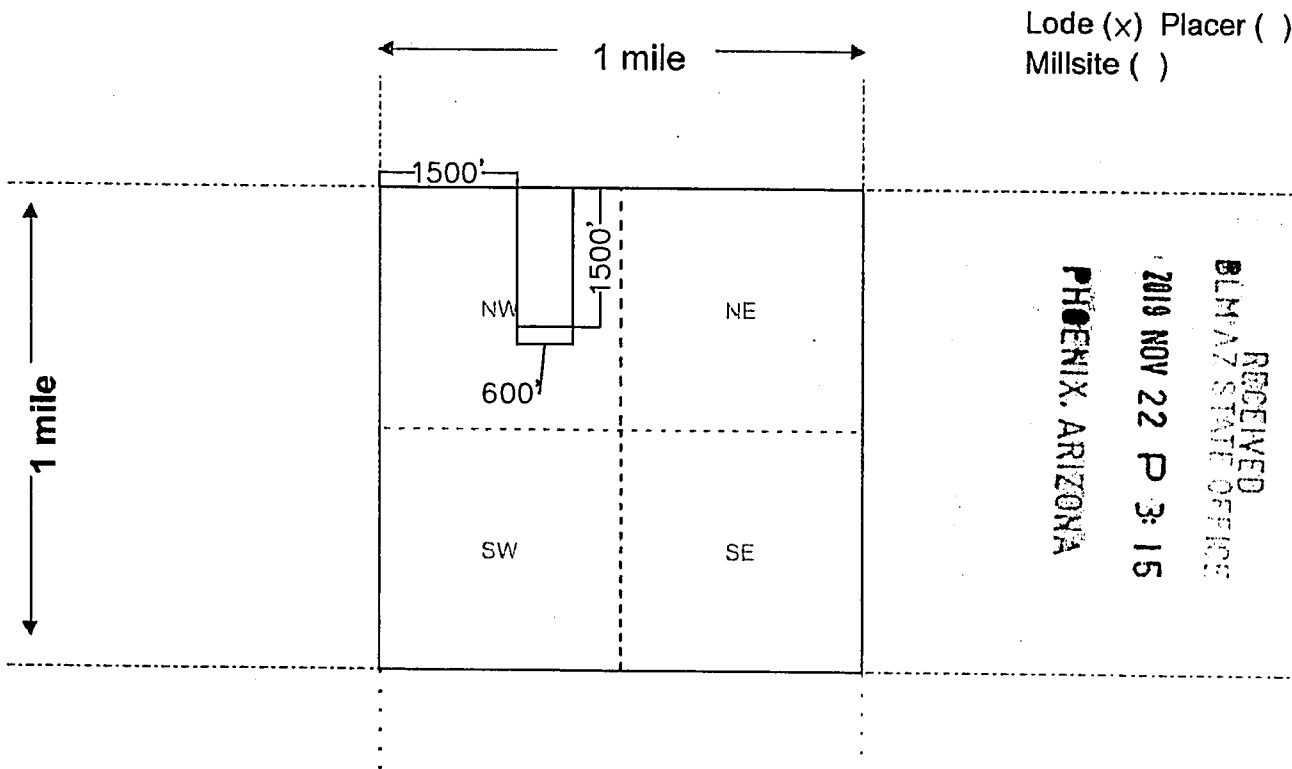
Print Name(s) Vincent Apple

Signature(s) [Handwritten Signature]

Form MCF100  
Revised July 2014

AMC457142

**MINING CLAIM MAP**



Scale: 1" = 2000 feet

1. The above map depicts the Queen Creek Strike No. 3 mining claim, which is located in Section (s) 20, Township 1 S, Range 10 E, Gila and Salt River Base and Meridian, Pinal County, Arizona. Total claim acreage is 20.66
2. The type of corner and location monuments used are as follows: 3' Metal Posts
3. The bearings and distances in degrees and feet between claim corners and to a public land survey monument are as depicted on the map.
4. If the claim is a placer or millsite claim with exterior limits conforming to legal subdivisions of the public survey, provide a legal description of the claim SEE ATTACHED

Form MCF100a  
Revised Oct 2018

This form is available from the **Arizona Geology Survey** and may be reproduced.

AMC 457142

## Legal Description of Claim Attachment

Mining Claim: Queen Creek Strike No. 3

The bearing and distance between corners is as follows: Beginning at the NW Corner, a monument at which the location notice is posted, then south 1500 feet to the SW corner, then east 600 feet to the SE corner, then 1500 feet to the NE corner, then west 600 feet to the place at the beginning. The NW corner of the claim at which the location notice is posted bears due east a distance of 1500 feet from the section corner common to Sections 17, 18, 19 and 20 Township 1 South, Range 10 East, G.& S.R.B.&M.

RECEIVED  
BLM AZ STATE OFFICE  
2019 NOV 22 P 3:15  
PHOENIX, ARIZONA

*Amc 45 7142*

**LOCATION NOTICE FOR LODE MINING CLAIM**

Amendment BLM Serial # \_\_\_\_\_

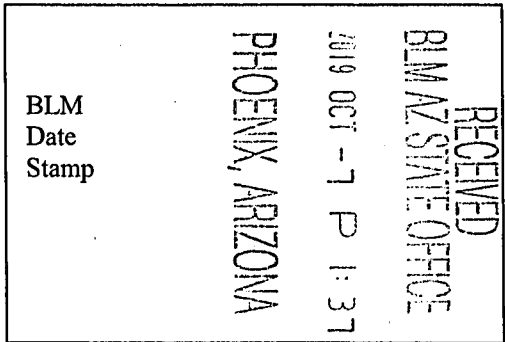
NOTICE IS HEREBY GIVEN that the Queen Creek Strike No.3

\_\_\_\_\_ lode mining claim has been located

by Southern Nevada Liteweight, Inc. whose current mailing

address is 7300 Afternoon Street

North Las Vegas, Nevada 89131



The general course of this claim is North-South and it is situated in Pinal

County, Arizona. This claim is 1500 feet in length and 600 feet in width.

20.66 Total Claim Acreage. This claim runs from the location monument on which this location notice is posted on the Northwest corner of the claim approximately 600 feet in a easterly direction to the east end line and 1500 feet in a southerly direction to the south end line. This claim is marked by four monuments, one at each corner of the claim.

The location monument on which this notice is posted is situated within Section 20, Township 1 S, Range 10 E, Gila Salt River Base and Meridian, Arizona and this claim encompasses portions of the following quarter section(s), section(s), Township(s) and Range(s) NW 1/4 of Section 20, T.1 S., R.10 E.

Gila Salt River Base and Meridian, Arizona.

The locality of this claim with reference to some natural object or permanent monument and additional information (if any) concerning its locality are as follows: The NW corner of the claim at which the location notice is posted bears due east a distance of 1500 feet from the section corner common to sections 16, 17, 20, & 21, T 1 S, R.10 E., G.& S.R.B.&M.

\_\_\_\_\_ The above information is shown on the attached map.

DATED AND POSTED on the ground this 19 day of September, 20 19.

LOCATOR(s)  AGENT

Print Name(s) Vincent Apple

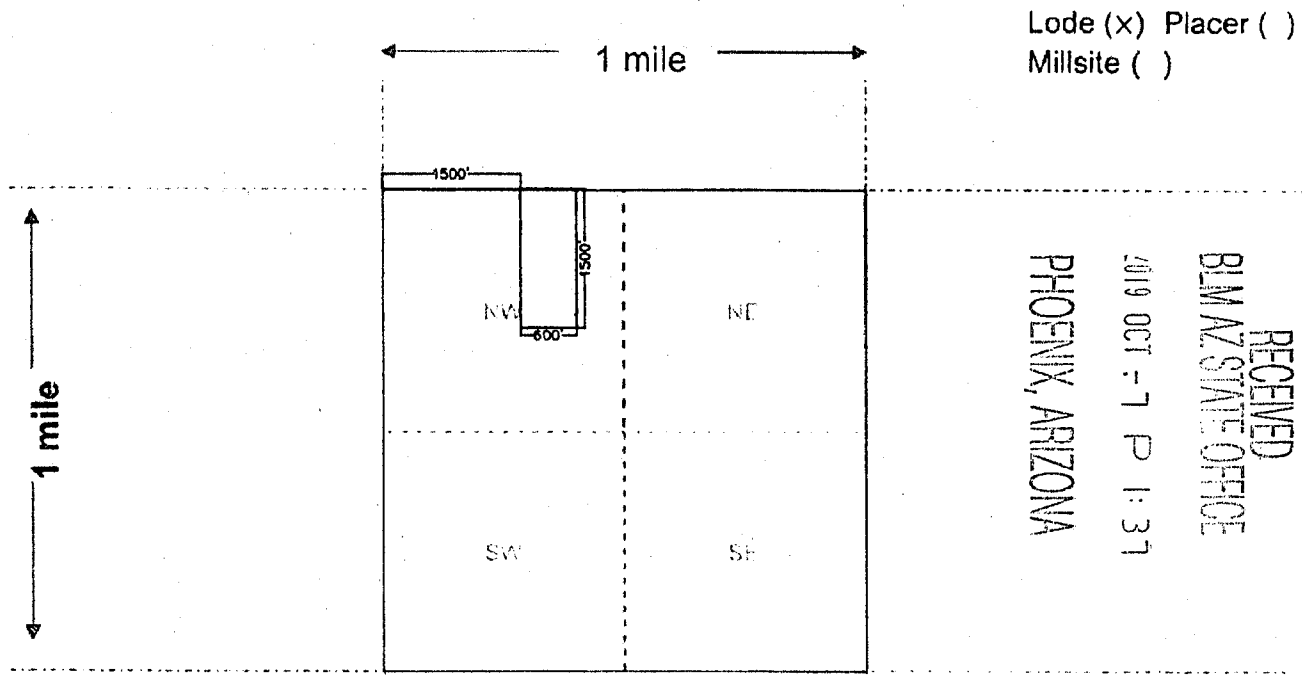
Signature(s) [Handwritten Signature]

Form MCF100 Revised July 2014

AN457142



**MINING CLAIM MAP**



Scale: 1" = 2000 feet



1. The above map depicts the Queen Creek Strike No. 3 mining claim, which is located in Section (s) 20, Township 1 S, Range 10 E, Gila and Salt River Base and Meridian, Pinal County, Arizona. Total claim acreage is 20.66

2. The type of corner and location monuments used are as follows: 3' Metal Posts

3. The bearings and distances in degrees and feet between claim corners and to a public land survey monument are as depicted on the map.

4. If the claim is a placer or millsite claim with exterior limits conforming to legal subdivisions of the public survey,

provide a legal description of the claim Queen Creek Strike No. 3: The bearing and distance between corners is as follows: Beginning at the NW Corner, a monument at which the location notice is posted, then south 1500 feet to the SW corner, then east 600 feet to the SE corner, then 1500 feet to the NE corner, then west 600 feet to the place at the beginning. The NW corner of the claim at which the location notice is posted bears due east a distance of 1500 feet from the section corner common to Sections 16, 17, 20 & 21, Township 1 South, Range 10 East, G. & S.R.B. & M.

Form MCF100a  
Revised Oct 2018

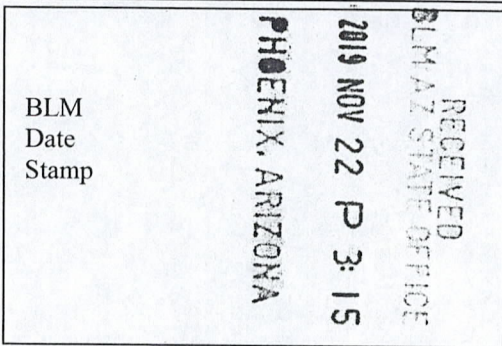
This form is available from the Arizona Geology Survey and may be reproduced.

AMC457142

**LOCATION NOTICE FOR LODE MINING CLAIM**

Amendment BLM Serial # AMC457143

NOTICE IS HEREBY GIVEN that the Queen Creek Strike No.4  
lode mining claim has been located  
by Southern Nevada Liteweight, Inc. whose current mailing  
address is 7300 Afternoon Street  
North Las Vegas, Nevada 89131



The general course of this claim is North-South and it is situated in Pinal  
County, Arizona. This claim is 1500 feet in length and 600 feet in width.

20.66 Total Claim Acreage. This claim runs from the location monument on which this location notice  
is posted on the Northwest corner of the claim approximately 600 feet in a easterly direction to the  
east end line and 1500 feet in a southerly direction to the south end line. This claim is  
marked by four monuments, one at each corner of the claim.

The location monument on which this notice is posted is situated within Section 20, Township 1  
S, Range 10 E, Gila Salt River Base and Meridian, Arizona and this claim encompasses portions  
of the following quarter section(s), section(s), Township(s) and Range(s) NW 1/4 of Section 20, T.1 S., R.10 E.

Gila Salt River Base and Meridian, Arizona.

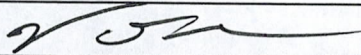
The locality of this claim with reference to some natural object or permanent monument and additional information  
(if any) concerning its locality are as follows: The NW corner of the claim at which the location notice is posted  
bears due east a distance of 900 feet from the section corner common to sections 17, 18, 19, & 20, T 1 S,  
R.10 E., G.& S.R.B.&M.

The above information is shown on the attached map.

DATED AND POSTED on the ground this 31 day of October, 20 19.

LOCATOR(s)  AGENT

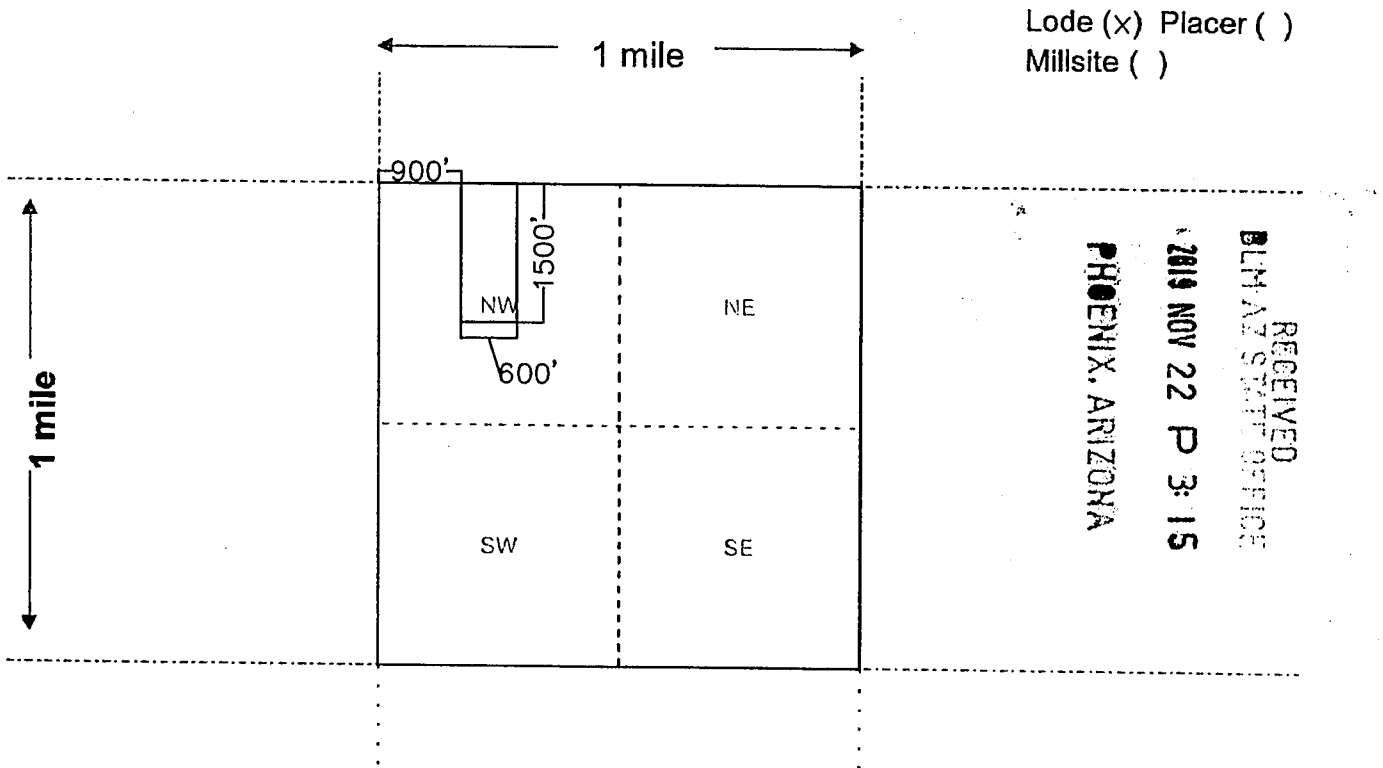
Print Name(s) Vincent Apple

Signature(s) 

AMC 457143

**Form MCF100**  
Revised July 2014

**MINING CLAIM MAP**



Lode (x) Placer ( )  
Millsite ( )

RECEIVED  
BLM AZ STATE OFFICE  
2019 NOV 22 P 3:15  
PHOENIX, ARIZONA

Scale: 1" = 2000 feet



1. The above map depicts the Queen Creek Strike No. 4 mining claim, which is located in Section (s) 20, Township 1 S, Range 10 E, Gila and Salt River Base and Meridian, Pinal County, Arizona. Total claim acreage is 20.66

2. The type of corner and location monuments used are as follows: 3' Metal Posts

3. The bearings and distances in degrees and feet between claim corners and to a public land survey monument are as depicted on the map.

4. If the claim is a placer or millsite claim with exterior limits conforming to legal subdivisions of the public survey, provide a legal description of the claim SEE ATTACHED

Form MCF100a  
Revised Oct 2018

This form is available from the **Arizona Geology Survey** and may be reproduced.

*Anc 457143*

## Legal Description of Claim Attachment

Mining Claim: Queen Creek Strike No. 4

The bearing and distance between corners is as follows: Beginning at the NW Corner, a monument at which the location notice is posted, then south 1500 feet to the SW corner, then east 600 feet to the SE corner, then 1500 feet to the NE corner, then west 600 feet to the place at the beginning. The NW corner of the claim at which the location notice is posted bears due east a distance of 900 feet from the section corner common to Sections 17, 18, 19 and 20 Township 1 South, Range 10 East, G.& S.R.B.&M.

RECEIVED  
BLM AZ STATE OFFICE  
2019 NOV 22 P 3:15  
PHOENIX, ARIZONA

*Amc 457143*

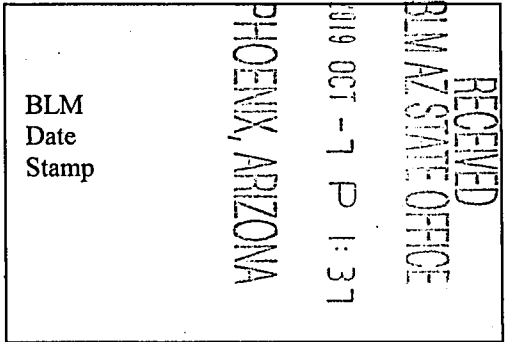
**LOCATION NOTICE FOR LODE MINING CLAIM**

Amendment BLM Serial # \_\_\_\_\_

NOTICE IS HEREBY GIVEN that the Queen Creek Strike No.4

\_\_\_\_\_ lode mining claim has been located

by Southern Nevada Liteweight, Inc. whose current mailing address is 7300 Afternoon Street  
North Las Vegas, Nevada 89131



The general course of this claim is North-South and it is situated in Pinal

County, Arizona. This claim is 1500 feet in length and 600 feet in width.

20.66 Total Claim Acreage. This claim runs from the location monument on which this location notice is posted on the Northwest corner of the claim approximately 600 feet in a easterly direction to the east end line and 1500 feet in a southerly direction to the south end line. This claim is marked by four monuments, one at each corner of the claim.

The location monument on which this notice is posted is situated within Section 20, Township 1 S, Range 10 E, Gila Salt River Base and Meridian, Arizona and this claim encompasses portions of the following quarter section(s), section(s), Township(s) and Range(s) NW 1/4 of Section 20, T.1 S., R.10 E.

Gila Salt River Base and Meridian, Arizona.

The locality of this claim with reference to some natural object or permanent monument and additional information (if any) concerning its locality are as follows: The NW corner of the claim at which the location notice is posted bears due east a distance of 900 feet from the section corner common to sections 16, 17, 20, & 21, T 1 S, R.10 E., G.& S.R.B.&M.

\_\_\_\_\_ The above information is shown on the attached map.

DATED AND POSTED on the ground this 19 day of September, 20 19

LOCATOR(s)  AGENT

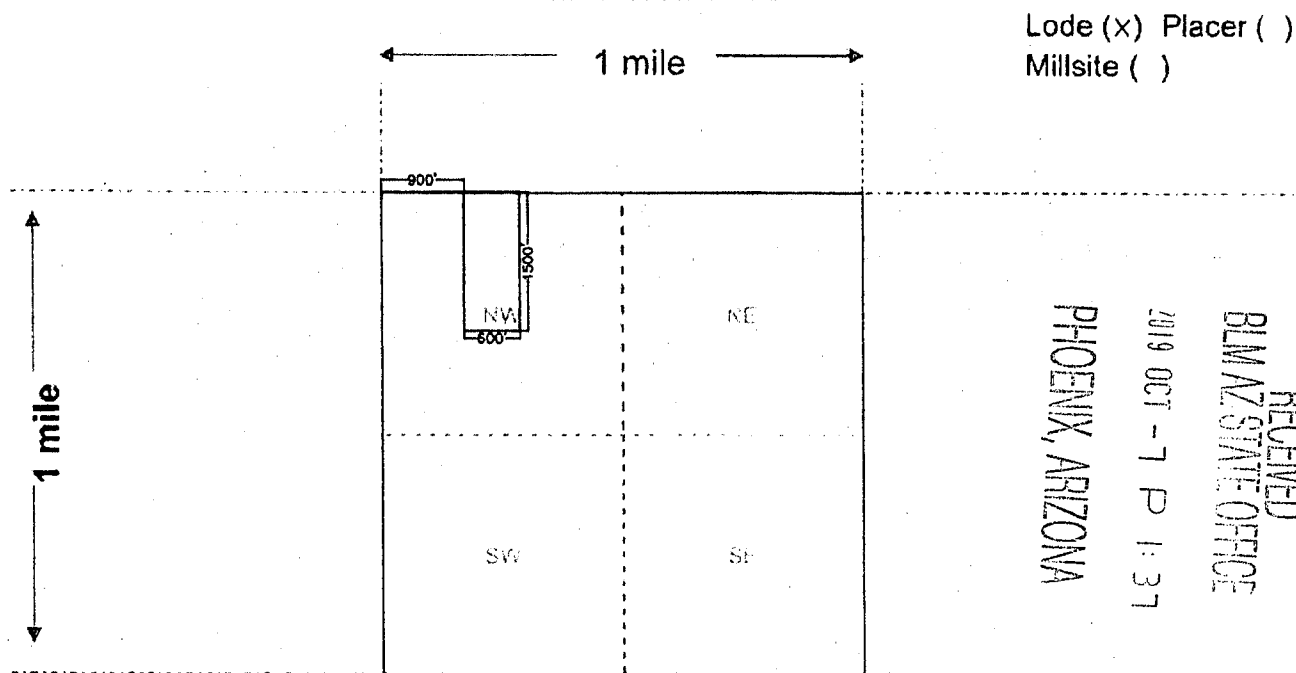
Print Name(s) Vincent Apple

Signature(s) [Signature]

Form MCF100  
Revised July 2014

AMC457143

**MINING CLAIM MAP**



RECEIVED  
BLM AZ STATE OFFICE  
2019 OCT -7 P 1:37  
PHOENIX, ARIZONA

Scale: 1" = 2000 feet



1. The above map depicts the Queen Creek Strike No. 4 mining claim, which is located in Section (s) 20, Township 1 S, Range 10 E, Gila and Salt River Base and Meridian, Pinal County, Arizona. Total claim acreage is 20.66

2. The type of corner and location monuments used are as follows: 3' Metal Posts

3. The bearings and distances in degrees and feet between claim corners and to a public land survey monument are as depicted on the map.

4. If the claim is a placer or millsite claim with exterior limits conforming to legal subdivisions of the public survey,

provide a legal description of the claim Queen Creek Strike No. 4: The bearing and distance between corners is as follows: Beginning at the NW Corner, a monument at which the location notice is posted, then south 1500 feet to the SW corner, then east 600 feet to the SE corner, then 1500 feet to the NE corner, then west 600 feet to the place at the beginning. The NW corner of the claim at which the location notice is posted bears due east a distance of 900 feet from the section corner common to Sections 16,17, 20 & 21, Township 1 South, Range 10 East, G.& S.R.B.&M.

Form MCF100a  
Revised Oct 2018

This form is available from the Arizona Geology Survey and may be reproduced.

AMC457143

**LOCATION NOTICE FOR LODE MINING CLAIM**

Amendment BLM Serial # AMC457144

NOTICE IS HEREBY GIVEN that the Queen Creek Strike No.5  
lode mining claim has been located  
by Southern Nevada Liteweight, Inc. whose current mailing  
address is 7300 Afternoon Street  
North Las Vegas, Nevada 89131

RECEIVED  
BLM AZ STATE OFFICE  
2019 NOV 22 P 3:15  
HOENIX, ARIZONA  
BLM  
Date  
Stamp

The general course of this claim is North-South and it is situated in Pinal  
County, Arizona. This claim is 1500 feet in length and 600 feet in width.

20.66 Total Claim Acreage. This claim runs from the location monument on which this location notice  
is posted on the Northwest corner of the claim approximately 600 feet in a easterly direction to the  
east end line and 1500 feet in a southernly direction to the south end line. This claim is  
marked by four monuments, one at each corner of the claim.

The location monument on which this notice is posted is situated within Section 20, Township 1  
S, Range 10 E, Gila Salt River Base and Meridian, Arizona and this claim encompasses portions  
of the following quarter section(s), section(s), Township(s) and Range(s) NW 1/4 of Section 20, T.1 S., R.10 E.

Gila Salt River Base and Meridian, Arizona.

The locality of this claim with reference to some natural object or permanent monument and additional information  
(if any) concerning its locality are as follows: The NW corner of the claim at which the location notice is posted  
bears due east a distance of 300 feet from the section corner common to sections 17, 18, 19, & 20, T 1 S,  
R.10 E., G. & S.R.B.&M.

The above information is shown on the attached map.

DATED AND POSTED on the ground this 31 day of October, 2019.

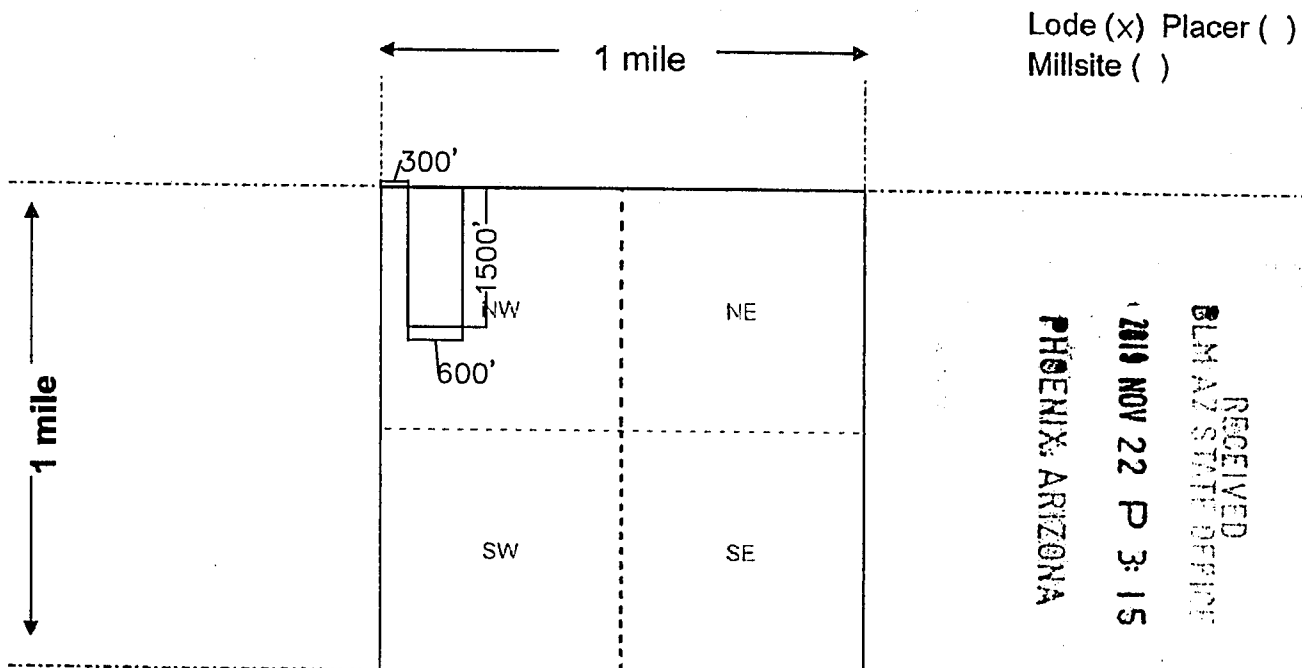
LOCATOR(s)  AGENT

Print Name(s) Vincent Apple

Signature(s) 

AMC 457144

**MINING CLAIM MAP**



Scale: 1" = 2000 feet



1. The above map depicts the Queen Creek Strike No. 5 mining claim, which is located in Section (s) 20, Township 1 S, Range 10 E, Gila and Salt River Base and Meridian, Pinal County, Arizona. Total claim acreage is 20.66
2. The type of corner and location monuments used are as follows: 3' Metal Posts
3. The bearings and distances in degrees and feet between claim corners and to a public land survey monument are as depicted on the map.
4. If the claim is a placer or millsite claim with exterior limits conforming to legal subdivisions of the public survey, provide a legal description of the claim SEE ATTACHED

Form MCF100a  
Revised Oct 2018

This form is available from the **Arizona Geology Survey** and may be reproduced.

PNC 457144



## Legal Description of Claim Attachment

Mining Claim: Queen Creek Strike No. 5

The bearing and distance between corners is as follows: Beginning at the NW Corner, a monument at which the location notice is posted, then south 1500 feet to the SW corner, then east 600 feet to the SE corner, then 1500 feet to the NE corner, then west 600 feet to the place at the beginning. The NW corner of the claim at which the location notice is posted bears due east a distance of 300 feet from the section corner common to Sections 17, 18, 19 and 20 Township 1 South, Range 10 East, G.& S.R.B.&M.

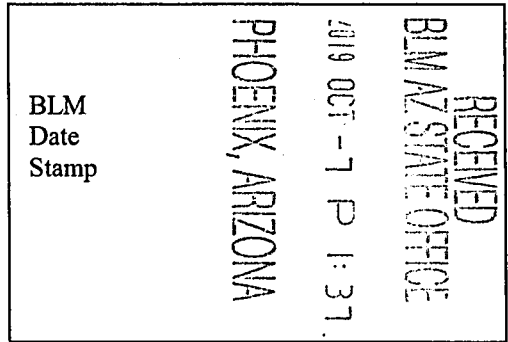
RECEIVED  
BLM AZ STATE OFFICE  
2010 NOV 22 P 3:19  
PHOENIX, ARIZONA

*Amc 457144*

**LOCATION NOTICE FOR LODE MINING CLAIM**

Amendment BLM Serial # \_\_\_\_\_

NOTICE IS HEREBY GIVEN that the Queen Creek Strike No.5  
\_\_\_\_\_ lode mining claim has been located  
by Southern Nevada Liteweight, Inc. whose current mailing  
address is 7300 Afternoon Street  
North Las Vegas, Nevada 89131



The general course of this claim is North-South and it is situated in Pinal  
County, Arizona. This claim is 1500 feet in length and 600 feet in width.

20.66 Total Claim Acreage. This claim runs from the location monument on which this location notice  
is posted on the Northwest corner of the claim approximately 600 feet in a easterly direction to the  
east end line and 1500 feet in a southerly direction to the south end line. This claim is  
marked by four monuments, one at each corner of the claim.

The location monument on which this notice is posted is situated within Section 20, Township 1  
S, Range 10 E, Gila Salt River Base and Meridian, Arizona and this claim encompasses portions  
of the following quarter section(s), section(s), Township(s) and Range(s) NW 1/4 of Section 20, T.1 S., R.10 E.

Gila Salt River Base and Meridian, Arizona.

The locality of this claim with reference to some natural object or permanent monument and additional information  
(if any) concerning its locality are as follows: The NW corner of the claim at which the location notice is posted bears due east a  
distance of 300 feet from the section corner common to sections 16, 17, 20, & 21, T 1 S, R.10 E., G.& S.R.B.&M.

\_\_\_\_\_ The above information is shown on the attached map.

DATED AND POSTED on the ground this 19 day of September, 20 19.

LOCATOR(s)  AGENT

Print Name(s) Vincent Apple

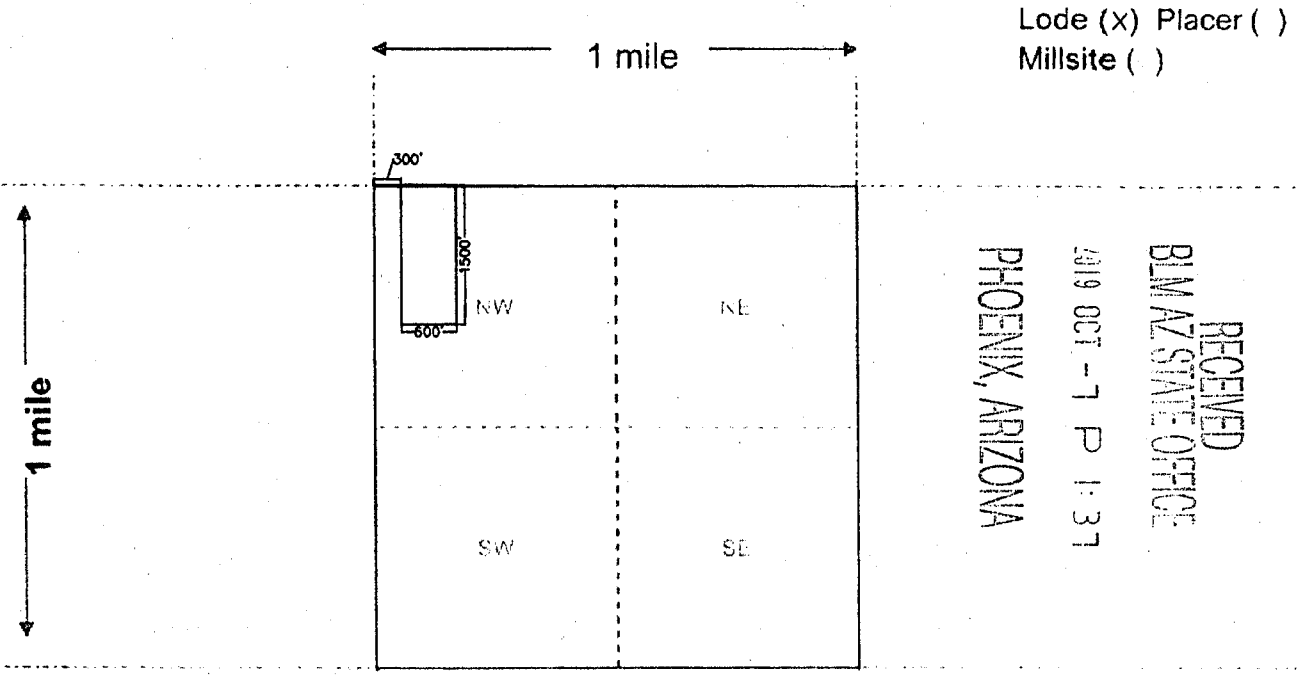
Signature(s)

Form MCF100  
Revised July 2014

This form is available from the Arizona Geological Survey and may be reproduced.

AMC457144

**MINING CLAIM MAP**



Scale: 1" = 2000 feet



1. The above map depicts the Queen Creek Strike No. 5 mining claim, which is located in Section (s) 20, Township 1 S, Range 10 E, Gila and Salt River Base and Meridian, Pinal County, Arizona. Total claim acreage is 20.66

2. The type of corner and location monuments used are as follows: 3' Metal Posts

3. The bearings and distances in degrees and feet between claim corners and to a public land survey monument are as depicted on the map.

4. If the claim is a placer or millsite claim with exterior limits conforming to legal subdivisions of the public survey,

provide a legal description of the claim Queen Creek Strike No. 5: The bearing and distance between corners is as follows: Beginning at the NW Corner, a monument at which the location notice is posted, then south 1500 feet to the SW corner, then east 600 feet to the SE corner, then 1500 feet to the NE corner, then west 600 feet to the place at the beginning. The NW corner of the claim at which the location notice is posted bears due east a distance of 300 feet from the section corner common to Sections 16, 17, 20 & 21, Township 1 South, Range 10 East, G. & S.R.B. & M.

Form MCF100a  
Revised Oct 2018

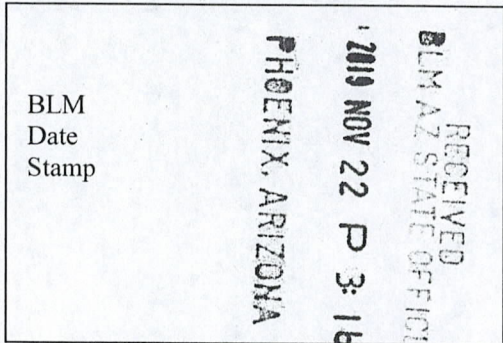
This form is available from the Arizona Geology Survey and may be reproduced.

AMC457144

**LOCATION NOTICE FOR LODE MINING CLAIM**

Amendment BLM Serial # AMC457145

NOTICE IS HEREBY GIVEN that the Queen Creek Strike No.6  
\_\_\_\_\_ lode mining claim has been located  
by Southern Nevada Liteweight, Inc. whose current mailing  
address is 7300 Afternoon Street  
North Las Vegas, Nevada 89131



The general course of this claim is North-South and it is situated in Pinal  
County, Arizona. This claim is 1500 feet in length and 600 feet in width.

20.66 Total Claim Acreage. This claim runs from the location monument on which this location notice  
is posted on the Northwest corner of the claim approximately 600 feet in a easterly direction to the  
east end line and 1500 feet in a southerly direction to the south end line. This claim is  
marked by four monuments, one at each corner of the claim.

The location monument on which this notice is posted is situated within Section 19 & 20, Township 1  
S, Range 10 E, Gila Salt River Base and Meridian, Arizona and this claim encompasses portions  
of the following quarter section(s), section(s), Township(s) and Range(s) NW 1/4 of Section 20, T.1 S., R.10 E.;  
NE 1/4 of Section 19, T.1 S., R.10 E.

Gila Salt River Base and Meridian, Arizona.

The locality of this claim with reference to some natural object or permanent monument and additional information  
(if any) concerning its locality are as follows: The NW corner of the claim at which the location notice is posted  
bears due west a distance of 300 feet from the section corner common to sections 17, 18, 19, & 20, T 1 S,  
R.10 E., G. & S.R.B.&M.

\_\_\_\_\_ The above information is shown on the attached map.

DATED AND POSTED on the ground this 31 day of October, 20 19.

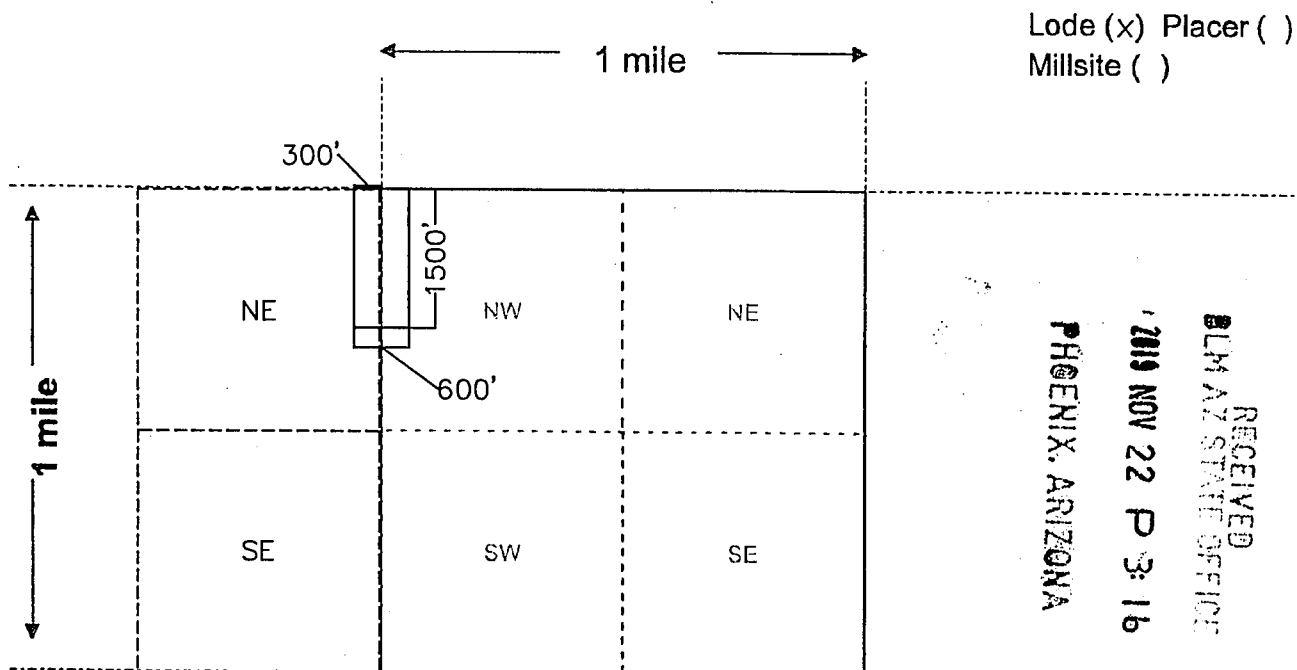
LOCATOR(s)  AGENT

Print Name(s) Vincent Apple

Signature(s) [Handwritten Signature]

AMC 457145

**MINING CLAIM MAP**



RECEIVED  
BLM AZ STATE OFFICE  
2019 NOV 22 P 3:16  
PHOENIX, ARIZONA

Scale: 1" = 2000 feet



1. The above map depicts the Queen Creek Strike No. 6 mining claim, which is located in Section (s) 19 & 20, Township 1 S, Range 10 E, Gila and Salt River Base and Meridian, Pinal County, Arizona. Total claim acreage is 20.66
2. The type of corner and location monuments used are as follows: 3' Metal Posts
3. The bearings and distances in degrees and feet between claim corners and to a public land survey monument are as depicted on the map.
4. If the claim is a placer or millsite claim with exterior limits conforming to legal subdivisions of the public survey, provide a legal description of the claim SEE ATTACHED

Form MCF100a  
Revised Oct 2018

This form is available from the **Arizona Geology Survey** and may be reproduced.

Amc 457145

## Legal Description of Claim Attachment

Mining Claim: Queen Creek Strike No. 6

The bearing and distance between corners is as follows: Beginning at the NW Corner, a monument at which the location notice is posted, then south 1500 feet to the SW corner, then east 600 feet to the SE corner, then 1500 feet to the NE corner, then west 600 feet to the place at the beginning. The NW corner of the claim at which the location notice is posted bears due west a distance of 300 feet from the section corner common to Sections 17, 18, 19 and 20 Township 1 South, Range 10 East, G.& S.R.B.&M.

RECEIVED  
BLM AZ STATE OFFICE  
2019 NOV 22 P 3:16  
PHOENIX, ARIZONA

AMC 457145

**LOCATION NOTICE FOR LODE MINING CLAIM**

Amendment BLM Serial # \_\_\_\_\_

NOTICE IS HEREBY GIVEN that the Queen Creek Strike No.6  
\_\_\_\_\_ lode mining claim has been located  
by Southern Nevada Liteweight, Inc. whose current mailing  
address is 7300 Afternoon Street  
North Las Vegas, Nevada 89131

RECEIVED  
BLM AZ STATE OFFICE  
2019 OCT -7 P 1:37  
PHOENIX, ARIZONA  
BLM  
Date  
Stamp

The general course of this claim is North-South and it is situated in Pinal  
County, Arizona. This claim is 1500 feet in length and 600 feet in width.

20.66 Total Claim Acreage. This claim runs from the location monument on which this location notice  
is posted on the Northwest corner of the claim approximately 600 feet in a easterly direction to the  
east end line and 1500 feet in a southernly direction to the south end line. This claim is  
marked by four monuments, one at each corner of the claim.

The location monument on which this notice is posted is situated within Section 19 & 20, Township 1  
S, Range 10 E, Gila Salt River Base and Meridian, Arizona and this claim encompasses portions  
of the following quarter section(s), section(s), Township(s) and Range(s) NW 1/4 of Section 20, T.1 S., R.10 E.;  
NE 1/4 of Section 19, T.1 S., R.10 E.

Gila Salt River Base and Meridian, Arizona.

The locality of this claim with reference to some natural object or permanent monument and additional information  
(if any) concerning its locality are as follows: The NW corner of the claim at which the location notice is posted bears due west a  
distance of 300 feet from the section corner common to sections 16, 17, 20, & 21, T 1 S, R.10 E., G. & S.R.B.&M.

\_\_\_\_\_ The above information is shown on the attached map.

DATED AND POSTED on the ground this 19 day of September, 20 19.

LOCATOR(s)  AGENT

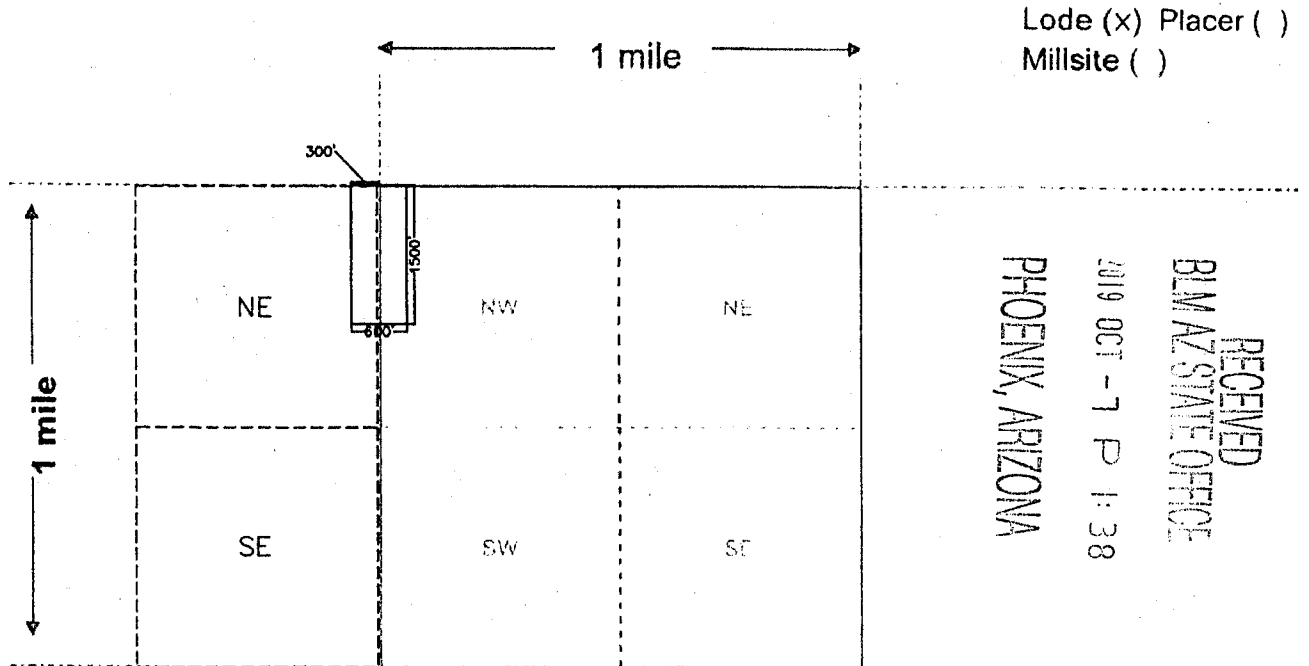
Print Name(s) Vincent Apple

Signature(s) 

Form MCF100  
Revised July 2014

AMC457145

**MINING CLAIM MAP**



Scale: 1" = 2000 feet



1. The above map depicts the Queen Creek Strike No. 6 mining claim, which is located in Section (s) 19 & 20, Township 1 S, Range 10 E, Gila and Salt River Base and Meridian, Pinal County, Arizona. Total claim acreage is 20.66

2. The type of corner and location monuments used are as follows: 3' Metal Posts

3. The bearings and distances in degrees and feet between claim corners and to a public land survey monument are as depicted on the map.

4. If the claim is a placer or millsite claim with exterior limits conforming to legal subdivisions of the public survey,

provide a legal description of the claim Queen Creek Strike No. 6: The bearing and distance between corners is as follows: Beginning at the NW Corner, a monument at which the location notice is posted, then south 1500 feet to the SW corner, then east 600 feet to the SE corner, then 1500 feet to the NE corner, then west 600 feet to the place at the beginning. The NW corner of the claim at which the location notice is posted bears due west a distance of 300 feet from the section corner common to Sections 16, 17, 20 & 21, Township 1 South, Range 10 East, G. & S.R.B. & M.

Form MCF100a  
Revised Oct 2018

This form is available from the Arizona Geology Survey and may be reproduced.

AMC457145



**LOCATION NOTICE FOR LODE MINING CLAIM**

Amendment BLM Serial # AMC457146

NOTICE IS HEREBY GIVEN that the Queen Creek Strike No. 7  
lode mining claim has been located  
by Southern Nevada Liteweight, Inc. whose current mailing  
address is 7300 Afternoon Street  
North Las Vegas, Nevada 89131

RECEIVED  
BLM AZ STATE OFFICE  
2019 NOV 22 P 3:16  
PHOENIX, ARIZONA  
BLM  
Date  
Stamp

The general course of this claim is West-East and it is situated in Pinal  
County, Arizona. This claim is 1500 feet in length and 600 feet in width.

20.66 Total Claim Acreage. This claim runs from the location monument on which this location notice  
is posted on the Northwest corner of the claim approximately 600 feet in a southern direction to the  
south end line and 1500 feet in a easterly direction to the east end line. This claim is  
marked by four monuments, one at each corner of the claim.

The location monument on which this notice is posted is situated within Section 19 & 20, Township 1  
S, Range 10 E, Gila Salt River Base and Meridian, Arizona and this claim encompasses portions  
of the following quarter section(s), section(s), Township(s) and Range(s) NE 1/4 of Section 19, T.1 S., R.10 E.;  
NW 1/4 of Section 20, T.1 S., R.10 E.

Gila Salt River Base and Meridian, Arizona.

The locality of this claim with reference to some natural object or permanent monument and additional information  
(if any) concerning its locality are as follows: The NW corner of the claim at which the location notice is posted  
bears due west a distance of 300 feet, then due south a distance of 1500 feet from the section corner common  
to sections 17, 18, 19, & 20, T 1 S, R.10 E., G.& S.R.B.&M. The above information is shown on the attached map.

DATED AND POSTED on the ground this 31 day of October, 20 19.

LOCATOR(s)  AGENT

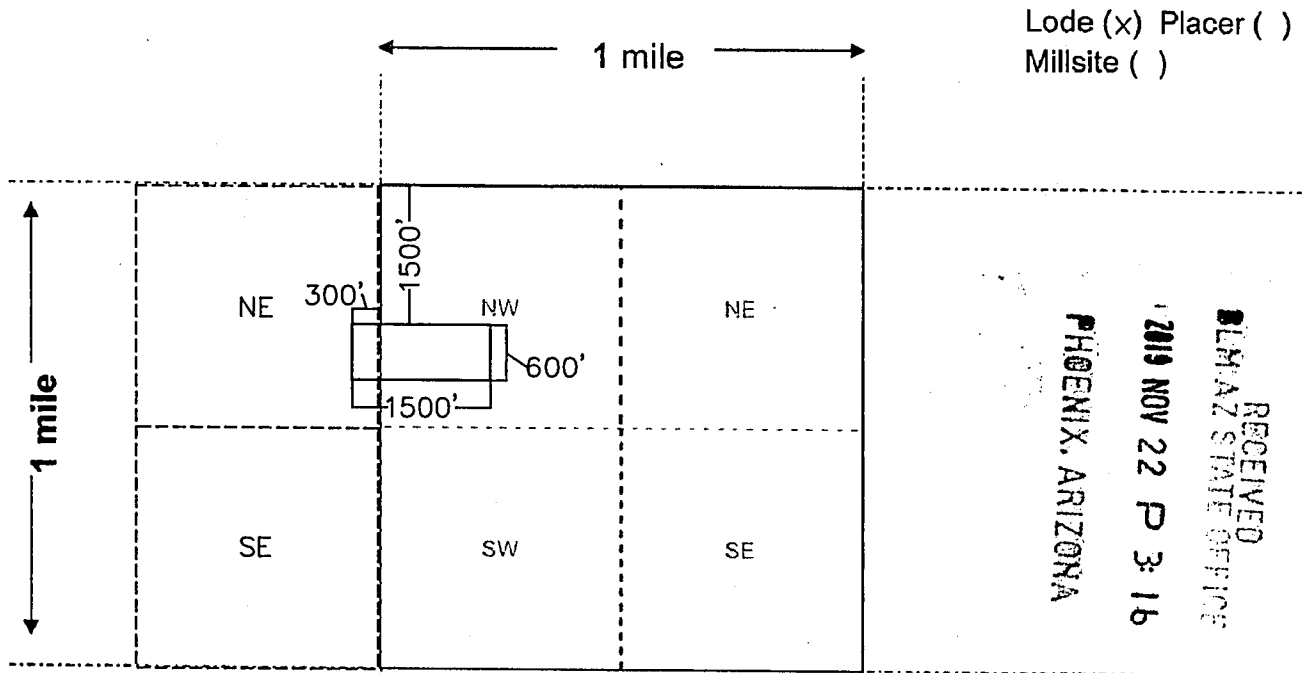
Print Name(s) Vincent Apple

Signature(s) 

Form MCF100  
Revised July 2014

AMC 457146

**MINING CLAIM MAP**



RECEIVED  
BLM AZ STATE OFFICE  
2019 NOV 22 P 3:16  
PHOENIX, ARIZONA

AMC 457146

Scale: 1" = 2000 feet



- The above map depicts the Queen Creek Strike No. 7 mining claim, which is located in Section (s) 19 & 20, Township 1 S, Range 10 E, Gila and Salt River Base and Meridian, Pinal County, Arizona. Total claim acreage is 20.66
- The type of corner and location monuments used are as follows: 3' Metal Posts
- The bearings and distances in degrees and feet between claim corners and to a public land survey monument are as depicted on the map.
- If the claim is a placer or millsite claim with exterior limits conforming to legal subdivisions of the public survey, provide a legal description of the claim SEE ATTACHED

Form MCF100a  
Revised Oct 2018

This form is available from the Arizona Geology Survey and may be reproduced.

Legal Description of Claim Attachment

Mining Claim: Queen Creek Strike No. 7

The bearing and distance between corners is as follows: Beginning at the NW Corner, a monument at which the location notice is posted, then south 600 feet to the SW corner, then east 1500 feet to the SE corner, then 600 feet to the NE corner, then west 1500 feet to the place at the beginning. The NW corner of the claim at which the location notice is posted bears due west a distance of 300 feet, then due south a distance of 1500 feet from the section corner common to Sections 16,17, 20 & 21, Township 1 South, Range 10 East, G.& S.R.B.&M.

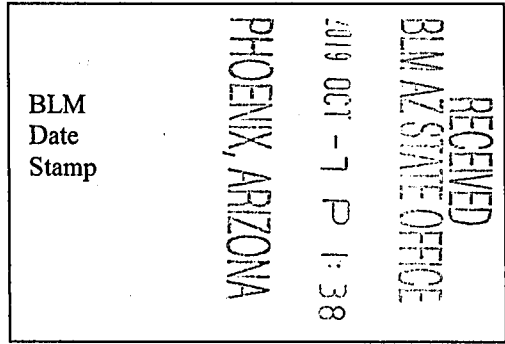
RECEIVED  
BLM AZ STATE OFFICE  
2019 NOV 22 P 3:16  
PHOENIX, ARIZONA

AMC 457146

**LOCATION NOTICE FOR LODE MINING CLAIM**

Amendment BLM Serial # \_\_\_\_\_

NOTICE IS HEREBY GIVEN that the Queen Creek Strike No. 7  
\_\_\_\_\_ lode mining claim has been located  
by Southern Nevada Liteweight, Inc. whose current mailing  
address is 7300 Afternoon Street  
North Las Vegas, Nevada 89131



The general course of this claim is West-East and it is situated in Pinal  
County, Arizona. This claim is 1500 feet in length and 600 feet in width.

20.66 Total Claim Acreage. This claim runs from the location monument on which this location notice  
is posted on the Northwest corner of the claim approximately 600 feet in a southerly direction to the  
south end line and 1500 feet in a easterly direction to the east end line. This claim is  
marked by four monuments, one at each corner of the claim.

The location monument on which this notice is posted is situated within Section 19 & 20, Township 1  
S, Range 10 E, Gila Salt River Base and Meridian, Arizona and this claim encompasses portions  
of the following quarter section(s), section(s), Township(s) and Range(s) NE 1/4 of Section 19, T.1 S., R.10 E.;  
NW 1/4 of Section 20, T.1 S., R.10 E.;

Gila Salt River Base and Meridian, Arizona.

The locality of this claim with reference to some natural object or permanent monument and additional information  
(if any) concerning its locality are as follows: The NW corner of the claim at which the location notice is posted bears due west a  
distance of 300 feet, then due south a distance of 1500 feet from the section corner common to sections 16, 17, 20, & 21, T 1 S, R.10 E.,

G. & S.R.B. & M. The above information is shown on the attached map.

DATED AND POSTED on the ground this 19 day of September, 2019.

LOCATOR(s)  AGENT

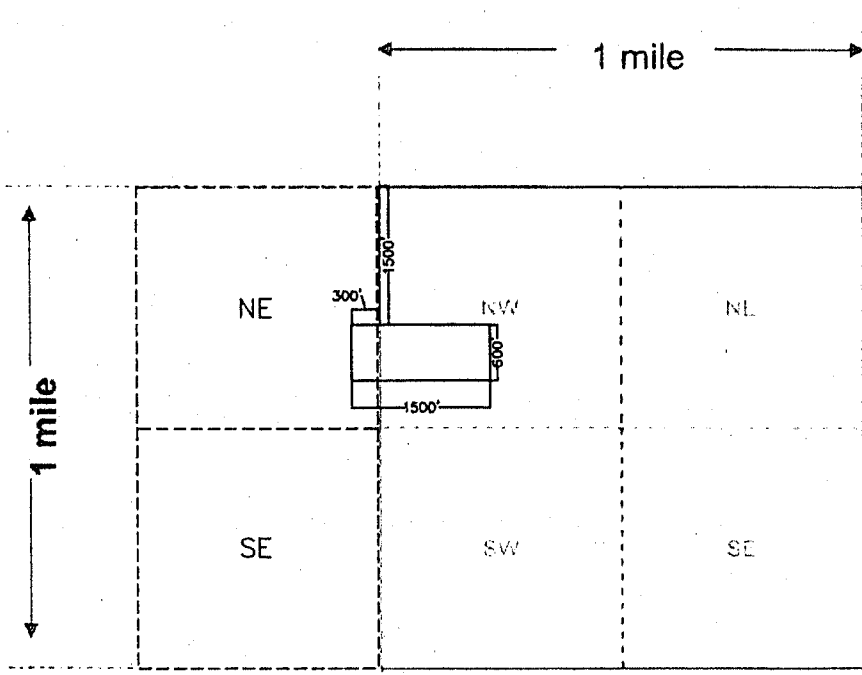
Print Name(s) Vincent Apple

Signature(s)

**Form MCF100**  
Revised July 2014

AMC457146

**MINING CLAIM MAP**



Lode (x) Placer ( )  
Millsite ( )

RECEIVED  
BLM/AZ STATE OFFICE  
2019 OCT -7 P 1:38  
PHOENIX, ARIZONA

Scale: 1" = 2000 feet



1. The above map depicts the Queen Creek Strike No. 7 mining claim, which is located in Section (s) 19 & 20, Township 1 S, Range 10 E, Gila and Salt River Base and Meridian, Pinal County, Arizona. Total claim acreage is 20.66
2. The type of corner and location monuments used are as follows: 3' Metal Posts
3. The bearings and distances in degrees and feet between claim corners and to a public land survey monument are as depicted on the map.
4. If the claim is a placer or millsite claim with exterior limits conforming to legal subdivisions of the public survey,

provide a legal description of the claim Queen Creek Strike No. 7: The bearing and distance between corners is as follows: Beginning at the NW Corner, a monument at which the location notice is posted, then south 600 feet to the SW corner, then east 1500 feet to the SE corner, then 600 feet to the NE corner, then west 1500 feet to the place at the beginning. The NW corner of the claim at which the location notice is posted bears due west a distance of 300 feet, then due south a distance of 1500 feet from the section corner common to Sections 16, 17, 20 & 21, Township 1 South, Range 10 East, G. & S.R.B. & M.

Form MCF100a  
Revised Oct 2018

This form is available from the Arizona Geology Survey and may be reproduced.

AMC457146

**LOCATION NOTICE FOR LODE MINING CLAIM**

Amendment BLM Serial # AMC457147

NOTICE IS HEREBY GIVEN that the Queen Creek Strike No. 8  
lode mining claim has been located  
by Southern Nevada Liteweight, Inc. whose current mailing  
address is 7300 Afternoon Street  
North Las Vegas, Nevada 89131

RECEIVED  
BLM AZ STATE OFFICE  
2019 NOV 22 P 3:16  
PHOENIX, ARIZONA  
BLM  
Date  
Stamp

The general course of this claim is West-East and it is situated in Pinal  
County, Arizona. This claim is 1500 feet in length and 600 feet in width.

20.66 Total Claim Acreage. This claim runs from the location monument on which this location notice  
is posted on the Northwest corner of the claim approximately 600 feet in a southern direction to the  
south end line and 1500 feet in a easterly direction to the east end line. This claim is  
marked by four monuments, one at each corner of the claim.

The location monument on which this notice is posted is situated within Section 20, Township 1  
S, Range 10 E, Gila Salt River Base and Meridian, Arizona and this claim encompasses portions  
of the following quarter section(s), section(s), Township(s) and Range(s) NE 1/4 of Section 20, T.1 S., R.10 E.;  
NW 1/4 of Section 20, T.1 S., R.10 E.

Gila Salt River Base and Meridian, Arizona.

The locality of this claim with reference to some natural object or permanent monument and additional information  
(if any) concerning its locality are as follows: The NW corner of the claim at which the location notice is posted  
bears due east a distance of 1200 feet, then due south a distance of 1500 feet from the section corner common  
to sections 17, 18, 19, & 20, T 1 S, R.10 E., G.& S.R.B.&M. The above information is shown on the attached map.

DATED AND POSTED on the ground this 31 day of October, 2019.

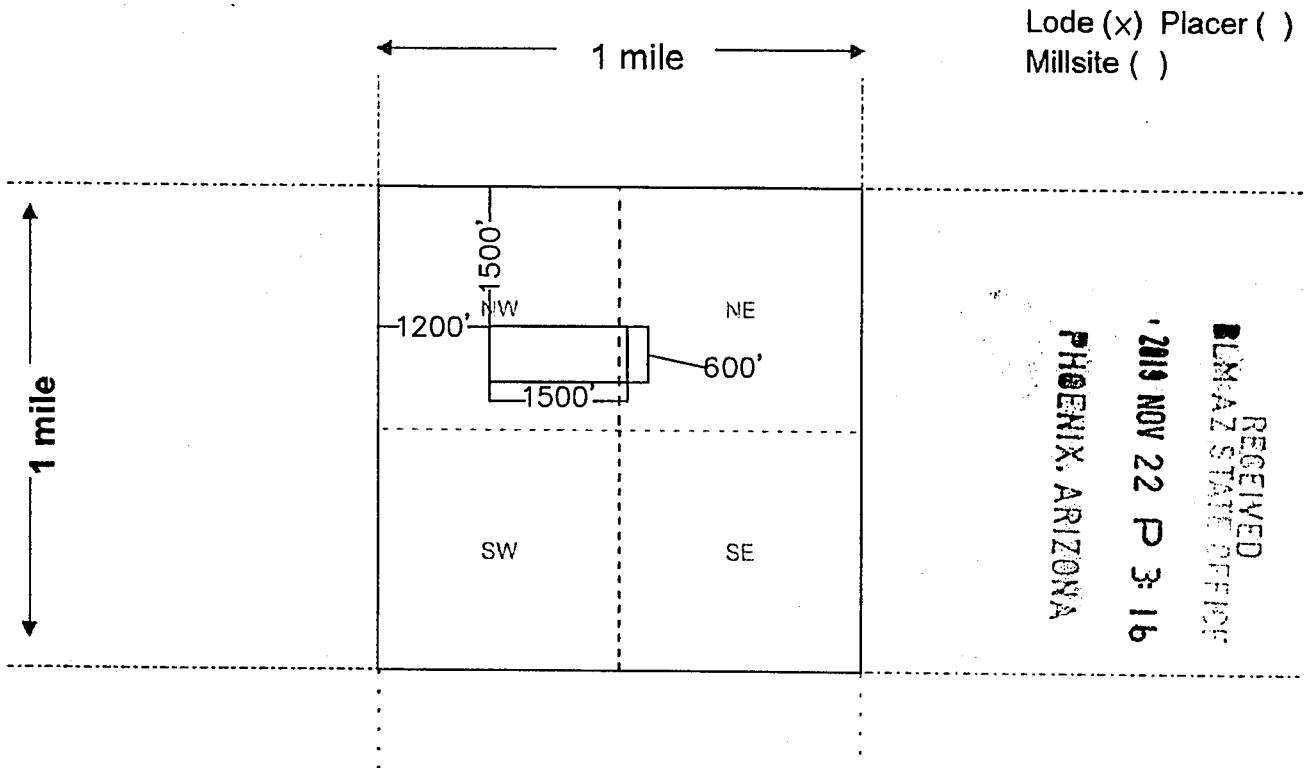
LOCATOR(s)  AGENT

Print Name(s) Vincent Apple

Signature(s) [Signature]

AMC 457147

**MINING CLAIM MAP**



Lode (x) Placer ( )  
Millsite ( )

RECEIVED  
BLM-AZ STATE OFFICE  
2019 NOV 22 P 3:16  
PHOENIX, ARIZONA

Scale: 1" = 2000 feet



- The above map depicts the Queen Creek Strike No. 8 mining claim, which is located in Section (s) 20, Township 1 S, Range 10 E, Gila and Salt River Base and Meridian,          Pinal          County, Arizona. Total claim acreage is 20.66
- The type of corner and location monuments used are as follows: 3' Metal Posts
- The bearings and distances in degrees and feet between claim corners and to a public land survey monument are as depicted on the map.
- If the claim is a placer or millsite claim with exterior limits conforming to legal subdivisions of the public survey, provide a legal description of the claim SEE ATTACHED

Form MCF100a  
Revised Oct 2018

This form is available from the **Arizona Geology Survey** and may be reproduced.

HMC 45 7147

## Legal Description of Claim Attachment

Mining Claim: Queen Creek Strike No. 8

The bearing and distance between corners is as follows: Beginning at the NW Corner, a monument at which the location notice is posted, then south 600 feet to the SW corner, then east 1500 feet to the SE corner, then 600 feet to the NE corner, then west 1500 feet to the place at the beginning. The NW corner of the claim at which the location notice is posted bears due east a distance of 1200 feet, then due south a distance of 1500 feet from the section corner common to Sections 17, 18, 19 and 20 Township 1 South, Range 10 East, G.& S.R.B.&M.

RECEIVED  
BLM AZ STATE OFFICE  
2019 NOV 22 P 3:16  
PHOENIX, ARIZONA

AMC 457147



**LOCATION NOTICE FOR LODE MINING CLAIM**

Amendment BLM Serial # \_\_\_\_\_

NOTICE IS HEREBY GIVEN that the Queen Creek Strike No. 8

\_\_\_\_\_ lode mining claim has been located

by Southern Nevada Liteweight, Inc. whose current mailing

address is 7300 Afternoon Street

North Las Vegas, Nevada 89131

RECEIVED  
BLM AZ STATE OFFICE  
2019 OCT -7 P 1:38  
PHOENIX, ARIZONA  
BLM  
Date  
Stamp

The general course of this claim is West-East and it is situated in Pinal

County, Arizona. This claim is 1500 feet in length and 600 feet in width.

20.66 Total Claim Acreage. This claim runs from the location monument on which this location notice is posted on the Northwest corner of the claim approximately 600 feet in a southerly direction to the south end line and 1500 feet in a easterly direction to the east end line. This claim is marked by four monuments, one at each corner of the claim.

The location monument on which this notice is posted is situated within Section 20, Township 1 S, Range 10 E, Gila Salt River Base and Meridian, Arizona and this claim encompasses portions of the following quarter section(s), section(s), Township(s) and Range(s) NE 1/4 of Section 20, T.1 S., R.10 E.;  
NW 1/4 of Section 20, T.1 S., R.10 E.;

Gila Salt River Base and Meridian, Arizona.

The locality of this claim with reference to some natural object or permanent monument and additional information (if any) concerning its locality are as follows: The NW corner of the claim at which the location notice is posted bears due east a distance of 1200 feet, then due south a distance of 1500 feet from the section corner common to sections 16, 17, 20, & 21, T 1 S, R.10 E.,

G. & S.R.B. & M. The above information is shown on the attached map.

DATED AND POSTED on the ground this 19 day of September, 2019.

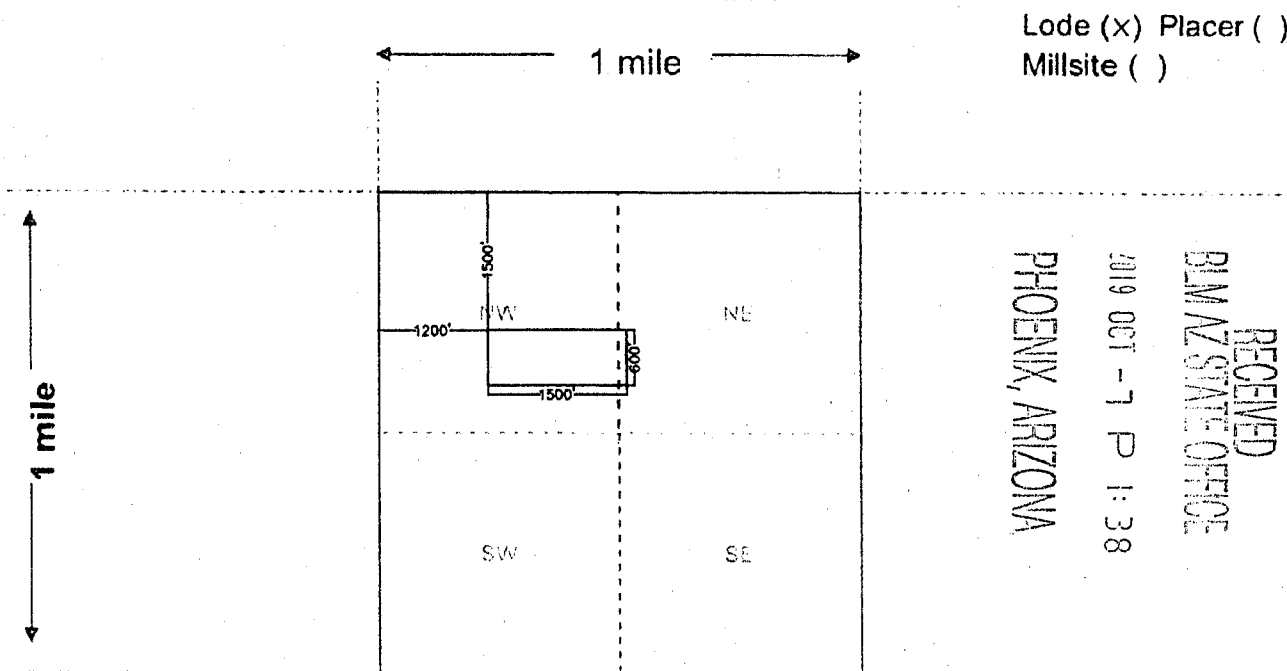
LOCATOR(s)  AGENT

Print Name(s) Vincent Apple

Signature(s) 

AN0457147

**MINING CLAIM MAP**



Lode (X) Placer ( )  
Millsite ( )

RECEIVED  
BLM AZ STATE OFFICE  
2019 OCT -7 P 1:38  
PHOENIX, ARIZONA

Scale: 1" = 2000 feet



1. The above map depicts the Queen Creek Strike No. 8 mining claim, which is located in Section (s) 20, Township 1 S, Range 10 E, Gila and Salt River Base and Meridian, Pinal County, Arizona. Total claim acreage is 20.66

2. The type of corner and location monuments used are as follows: 3' Metal Posts

3. The bearings and distances in degrees and feet between claim corners and to a public land survey monument are as depicted on the map.

4. If the claim is a placer or millsite claim with exterior limits conforming to legal subdivisions of the public survey,

provide a legal description of the claim Queen Creek Strike No. 8: The bearing and distance between corners is as follows: Beginning at the NW Corner, a monument at which the location notice is posted, then south 500 feet to the SW corner, then east 1500 feet to the SE corner, then 600 feet to the NE corner, then west 1500 feet to the place at the beginning. The NW corner of the claim at which the location notice is posted bears due east a distance of 1200 feet, then due south distance of 1500 feet from the section corner common to Sections 16, 17, 20 & 21, Township 1 South, Range 10 East, G. & S.R.B. & M.

AMC451147

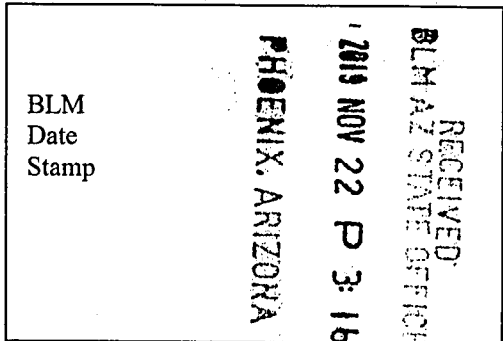
Form MCF100a  
Revised Oct 2018

This form is available from the Arizona Geology Survey and may be reproduced.

**LOCATION NOTICE FOR LODE MINING CLAIM**

Amendment BLM Serial # AMC457148

NOTICE IS HEREBY GIVEN that the Queen Creek Strike No. 9  
\_\_\_\_\_ lode mining claim has been located  
by Southern Nevada Liteweight, Inc. whose current mailing  
address is 7300 Afternoon Street  
North Las Vegas, Nevada 89131



The general course of this claim is West-East and it is situated in Pinal  
County, Arizona. This claim is 1500 feet in length and 600 feet in width.

20.66 Total Claim Acreage. This claim runs from the location monument on which this location notice  
is posted on the Northwest corner of the claim approximately 600 feet in a southern direction to the  
south end line and 1500 feet in a easterly direction to the east end line. This claim is  
marked by four monuments, one at each corner of the claim.

The location monument on which this notice is posted is situated within Section 19 & 20, Township 1  
S, Range 10 E, Gila Salt River Base and Meridian, Arizona and this claim encompasses portions  
of the following quarter section(s), section(s), Township(s) and Range(s) NE 1/4 of Section 19, T.1 S., R.10 E.;  
SE 1/4 of Section 19, T.1 S., R.10 E.; NW 1/4 of Section 20, T.1 S., R.10 E.; SW 1/4 of Section 20, T.1 S., R.10

Gila Salt River Base and Meridian, Arizona.

The locality of this claim with reference to some natural object or permanent monument and additional information  
(if any) concerning its locality are as follows: The NW corner of the claim at which the location notice is posted  
bears due west a distance of 300 feet, then due south a distance of 2100 feet from the section corner common  
to sections 17, 18, 19, & 20, T 1 S, R.10 E., G. & S.R.B. & M. The above information is shown on the attached map.

DATED AND POSTED on the ground this 31 day of October, 2019.

LOCATOR(s)  AGENT

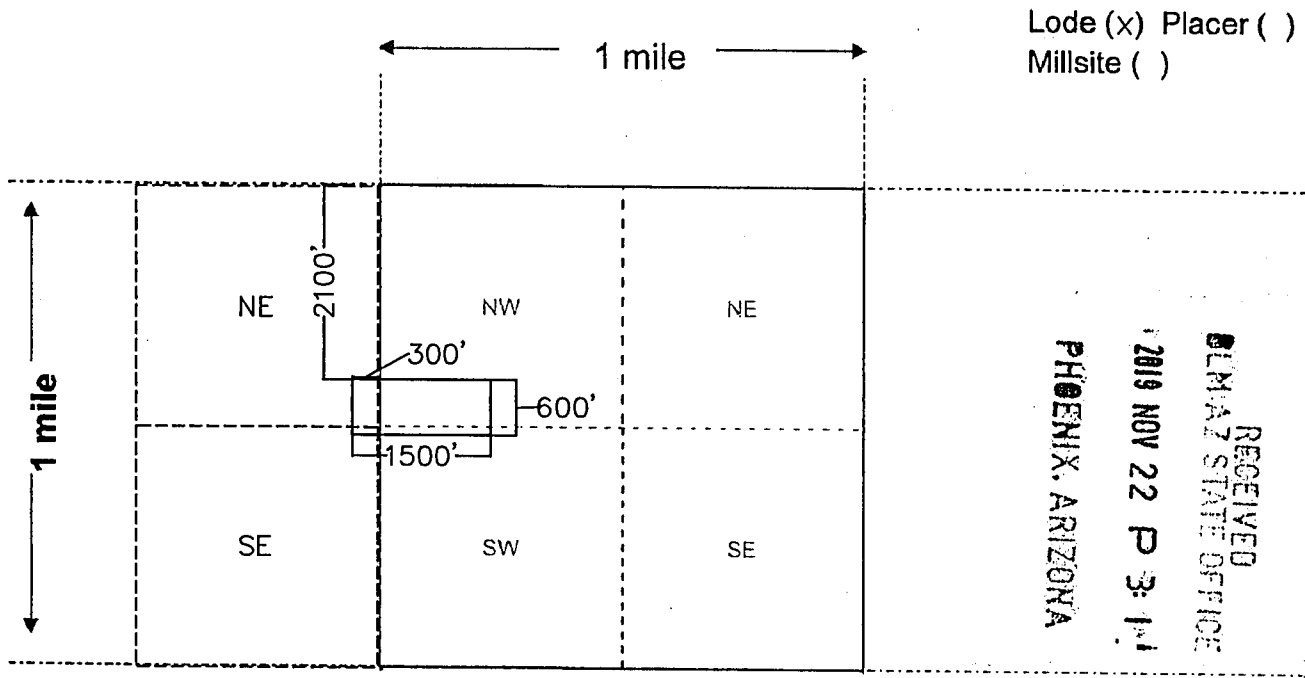
Print Name(s) Vincent Apple

Signature(s) [Handwritten Signature]

Form MCF100  
Revised July 2014

AMC 457148

**MINING CLAIM MAP**



Lode (x) Placer ( )  
Millsite ( )

RECEIVED  
DEPT. OF STATE OFFICE  
2019 NOV 22 P 3:14  
PHOENIX, ARIZONA

1 mile

1 mile

NE

NW

NE

SE

SW

SE

2100'

300'

600'

1500'



Scale: 1" = 2000 feet

1. The above map depicts the Queen Creek Strike No. 9 mining claim, which is located in Section (s) 19 & 20, Township 1 S, Range 10 E, Gila and Salt River Base and Meridian, Pinal County, Arizona. Total claim acreage is 20.66
2. The type of corner and location monuments used are as follows: 3' Metal Posts
3. The bearings and distances in degrees and feet between claim corners and to a public land survey monument are as depicted on the map.
4. If the claim is a placer or millsite claim with exterior limits conforming to legal subdivisions of the public survey, provide a legal description of the claim SEE ATTACHED

Form MCF100a  
Revised Oct 2018

This form is available from the Arizona Geology Survey and may be reproduced.

AMC 457148

## Legal Description of Claim Attachment

Mining Claim: Queen Creek Strike No. 9

The bearing and distance between corners is as follows: Beginning at the NW Corner, a monument at which the location notice is posted, then south 600 feet to the SW corner, then east 1500 feet to the SE corner, then 600 feet to the NE corner, then west 1500 feet to the place at the beginning. The NW corner of the claim at which the location notice is posted bears due west a distance of 300 feet, then due south a distance of 2100 feet from the section corner common to Sections 17, 18, 19 and 20 Township 1 South, Range 10 East, G.& S.R.B.&M.

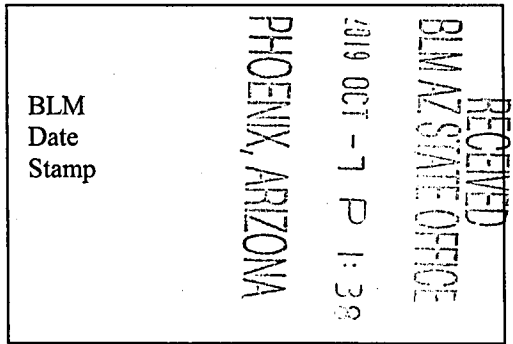
RECEIVED  
BLM AZ STATE OFFICE  
2019 NOV 22 P 3:17  
PHOENIX, ARIZONA

Amc 457148

**LOCATION NOTICE FOR LODE MINING CLAIM**

Amendment BLM Serial # \_\_\_\_\_

NOTICE IS HEREBY GIVEN that the Queen Creek Strike No. 9  
\_\_\_\_\_ lode mining claim has been located  
by Southern Nevada Liteweight, Inc. whose current mailing  
address is 7300 Afternoon Street  
North Las Vegas, Nevada 89131



The general course of this claim is West-East and it is situated in Pinal  
County, Arizona. This claim is 1500 feet in length and 600 feet in width.

20.66 Total Claim Acreage. This claim runs from the location monument on which this location notice  
is posted on the Northwest corner of the claim approximately 600 feet in a southerly direction to the  
south end line and 1500 feet in a easterly direction to the east end line. This claim is  
marked by four monuments, one at each corner of the claim.

The location monument on which this notice is posted is situated within Section 19 & 20, Township 1  
S, Range 10 E, Gila Salt River Base and Meridian, Arizona and this claim encompasses portions  
of the following quarter section(s), section(s), Township(s) and Range(s) NE 1/4 of Section 19, T.1 S., R.10 E.;  
SE 1/4 of Section 19, T.1 S., R.10 E.; NW 1/4 of Section 20, T.1 S., R.10 E.; SW 1/4 of Section 20, T.1 S., R.10 E.;

Gila Salt River Base and Meridian, Arizona.

The locality of this claim with reference to some natural object or permanent monument and additional information  
(if any) concerning its locality are as follows: The NW corner of the claim at which the location notice is posted bears due west a  
distance of 300 feet, then due south a distance of 2100 feet from the section corner common to sections 16, 17, 20, & 21, T 1 S, R.10 E.,

G.& S.R.B.&M.

The above information is shown on the attached map.

DATED AND POSTED on the ground this 19 day of September, 2019.

LOCATOR(s)  AGENT

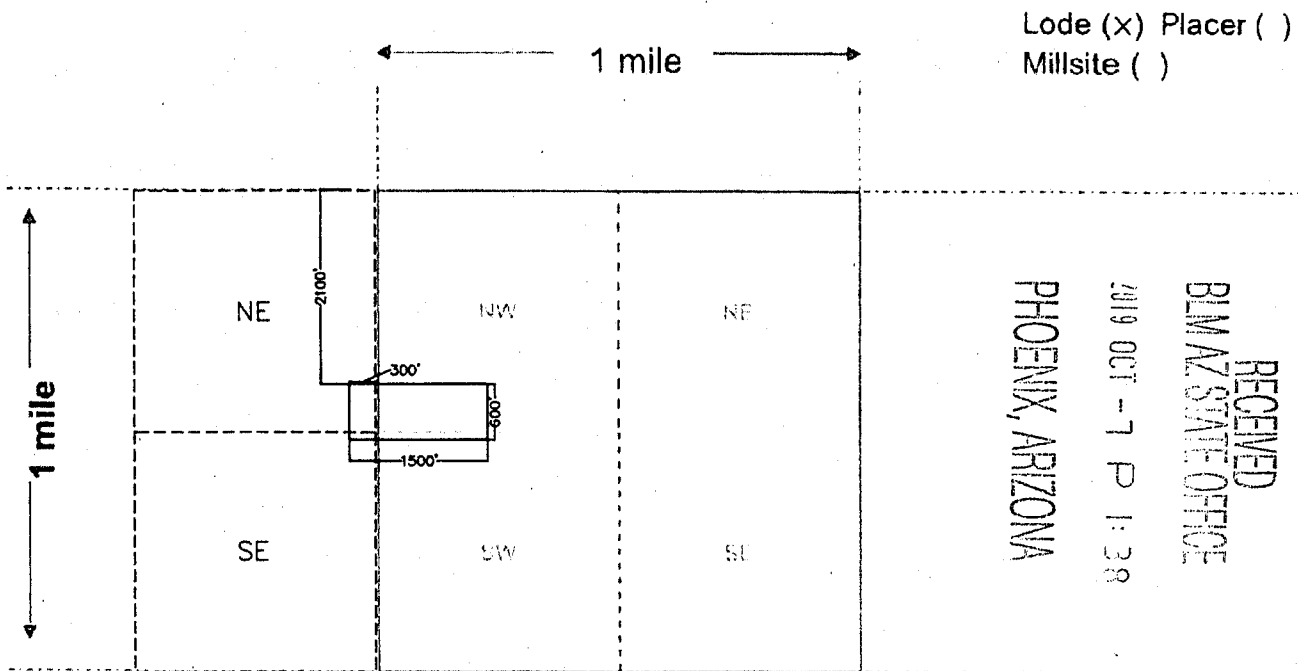
Print Name(s) Vincent Apple

Signature(s) [Handwritten Signature]

Form MCF100  
Revised July 2014

AMC457148

**MINING CLAIM MAP**



Lode (x) Placer ( )  
Millsite ( )

RECEIVED  
BLM AZ STATE OFFICE  
2019 OCT -7 P 1:38  
PHOENIX, ARIZONA

Scale: 1" = 2000 feet



1. The above map depicts the Queen Creek Strike No. 9 mining claim, which is located in Section (s) 19 & 20, Township 1 S, Range 10 E, Gila and Salt River Base and Meridian, Pinal County, Arizona. Total claim acreage is 20.66

2. The type of corner and location monuments used are as follows: 3' Metal Posts

3. The bearings and distances in degrees and feet between claim corners and to a public land survey monument are as depicted on the map.

4. If the claim is a placer or millsite claim with exterior limits conforming to legal subdivisions of the public survey, provide a legal description of the claim

Queen Creek Strike No. 9. The bearing and distance between corners is as follows: Beginning at the NW Corner, a monument at which the location notice is posted, then south 600 feet to the SW corner, then east 1500 feet to the SE corner, then 600 feet to the NE corner, then west 1500 feet to the place at the beginning. The NW corner of the claim at which the location notice is posted bears due west a distance of 300 feet, then due south distance of 2100 feet from the section corner common to Sections 16, 17, 20 & 21, Township 1 South, Range 10 East, G & S.R.B.&M.

Form MCF100a  
Revised Oct 2018

This form is available from the Arizona Geology Survey and may be reproduced.

AMC457148

**LOCATION NOTICE FOR LODE MINING CLAIM**

Amendment BLM Serial # AMC 457149

RECEIVED  
BLM AZ STATE OFFICE  
2019 NOV 22 P 3:17  
PHOENIX, ARIZONA

BLM  
Date  
Stamp

NOTICE IS HEREBY GIVEN that the Queen Creek Strike No. 10  
   lode mining claim has been located  
 by Southern Nevada Liteweight, Inc. whose current mailing  
 address is 7300 Afternoon Street  
North Las Vegas, Nevada 89131

The general course of this claim is West-East and it is situated in Pinal  
 County, Arizona. This claim is 1500 feet in length and 600 feet in width.

20.66 Total Claim Acreage. This claim runs from the location monument on which this location notice  
 is posted on the Northwest corner of the claim approximately 600 feet in a southern direction to the  
south end line and 1500 feet in a easterly direction to the east end line. This claim is  
 marked by four monuments, one at each corner of the claim.

The location monument on which this notice is posted is situated within Section 20, Township 1  
S, Range 10 E, Gila Salt River Base and Meridian, Arizona and this claim encompasses portions  
 of the following quarter section(s), section(s), Township(s) and Range(s) NW 1/4 of Section 20, T.1 S., R.10 E.;  
NE 1/4 of Section 19, T.1 S., R.10 E.; SW 1/4 of Section 19, T.1 S., R.10 E.; SE 1/4 of Section 20, T.1 S., R.10 E.

Gila Salt River Base and Meridian, Arizona.

The locality of this claim with reference to some natural object or permanent monument and additional information  
 (if any) concerning its locality are as follows: The NW corner of the claim at which the location notice is posted  
bears due east a distance of 1200 feet, then due south a distance of 2100 feet from the section corner common  
to sections 17, 18, 19, & 20, T 1 S, R.10 E., G.& S.R.B.&M. The above information is shown on the attached map.

DATED AND POSTED on the ground this 31 day of October, 2019.

LOCATOR(s)     AGENT

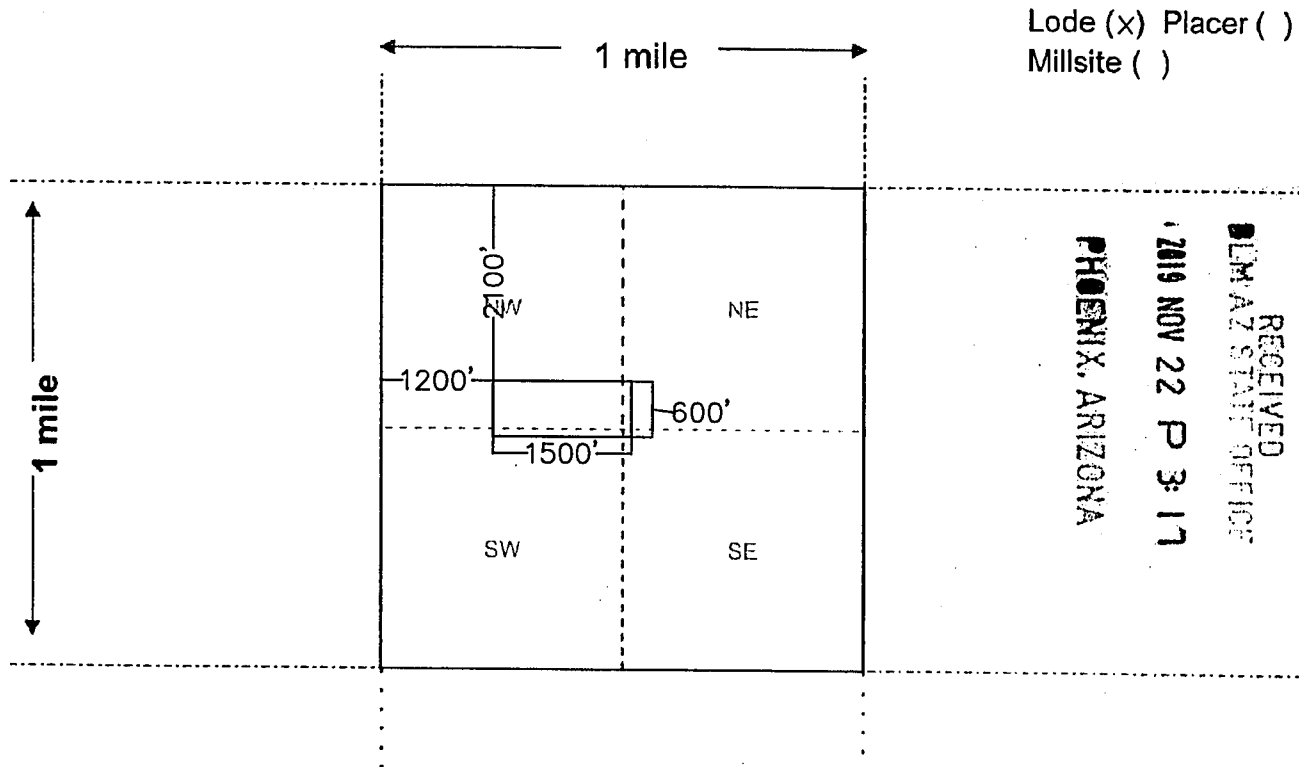
Print Name(s) Vincent Apple

Signature(s) *[Signature]*

*AMC 457149*



**MINING CLAIM MAP**



Scale: 1" = 2000 feet



- The above map depicts the Queen Creek Strike No.10 mining claim, which is located in Section (s) 20, Township 1 S, Range 10 E, Gila and Salt River Base and Meridian, Pinal County, Arizona. Total claim acreage is 20.66
- The type of corner and location monuments used are as follows: 3' Metal Posts
- The bearings and distances in degrees and feet between claim corners and to a public land survey monument are as depicted on the map.
- If the claim is a placer or millsite claim with exterior limits conforming to legal subdivisions of the public survey, provide a legal description of the claim SEE ATTACHED

Form MCF100a  
Revised Oct 2018

This form is available from the **Arizona Geology Survey** and may be reproduced.

Amc 457149

## Legal Description of Claim Attachment

Mining Claim: Queen Creek Strike No. 10

The bearing and distance between corners is as follows: Beginning at the NW Corner, a monument at which the location notice is posted, then south 600 feet to the SW corner, then east 1500 feet to the SE corner, then 600 feet to the NE corner, then west 1500 feet to the place at the beginning. The NW corner of the claim at which the location notice is posted bears due east a distance of 1200 feet, then due south a distance of 2100 feet from the section corner common to Sections 17, 18, 19 and 20 Township 1 South, Range 10 East, G. & S.R.B. & M.

RECEIVED  
BLM AZ STATE OFFICE  
2019 NOV 22 P 3:17  
PHOENIX, ARIZONA

*Amc 457149*

**LOCATION NOTICE FOR LODE MINING CLAIM**

Amendment BLM Serial # \_\_\_\_\_

NOTICE IS HEREBY GIVEN that the Queen Creek Strike No. 10  
\_\_\_\_\_ lode mining claim has been located  
by Southern Nevada Liteweight, Inc. whose current mailing  
address is 7300 Afternoon Street  
North Las Vegas, Nevada 89131

RECEIVED  
BLM AZ STATE OFFICE  
2019 OCT - 7 P 1:38  
PHOENIX, ARIZONA  
BLM  
Date  
Stamp

The general course of this claim is West-East and it is situated in Pinal  
County, Arizona. This claim is 1500 feet in length and 600 feet in width.

20.66 Total Claim Acreage. This claim runs from the location monument on which this location notice  
is posted on the Northwest corner of the claim approximately 600 feet in a southerly direction to the  
south end line and 1500 feet in a easterly direction to the east end line. This claim is  
marked by four monuments, one at each corner of the claim.

The location monument on which this notice is posted is situated within Section 20, Township 1  
S, Range 10 E, Gila Salt River Base and Meridian, Arizona and this claim encompasses portions  
of the following quarter section(s), section(s), Township(s) and Range(s) NW 1/4 of Section 20, T.1 S., R.10 E.;  
NE 1/4 of Section 19, T.1 S., R.10 E.; SW 1/4 of Section 19, T.1 S., R.10 E.; SE 1/4 of Section 20, T.1 S., R.10 E.

Gila Salt River Base and Meridian, Arizona.

The locality of this claim with reference to some natural object or permanent monument and additional information  
(if any) concerning its locality are as follows: The NW corner of the claim at which the location notice is posted bears due east a  
distance of 1200 feet, then due south a distance of 2100 feet from the section corner common to sections 16, 17, 20, & 21, T 1 S, R.10 E.,

G. & S.R.B. & M. The above information is shown on the attached map.

DATED AND POSTED on the ground this 19 day of September, 2019.

LOCATOR(s)  AGENT

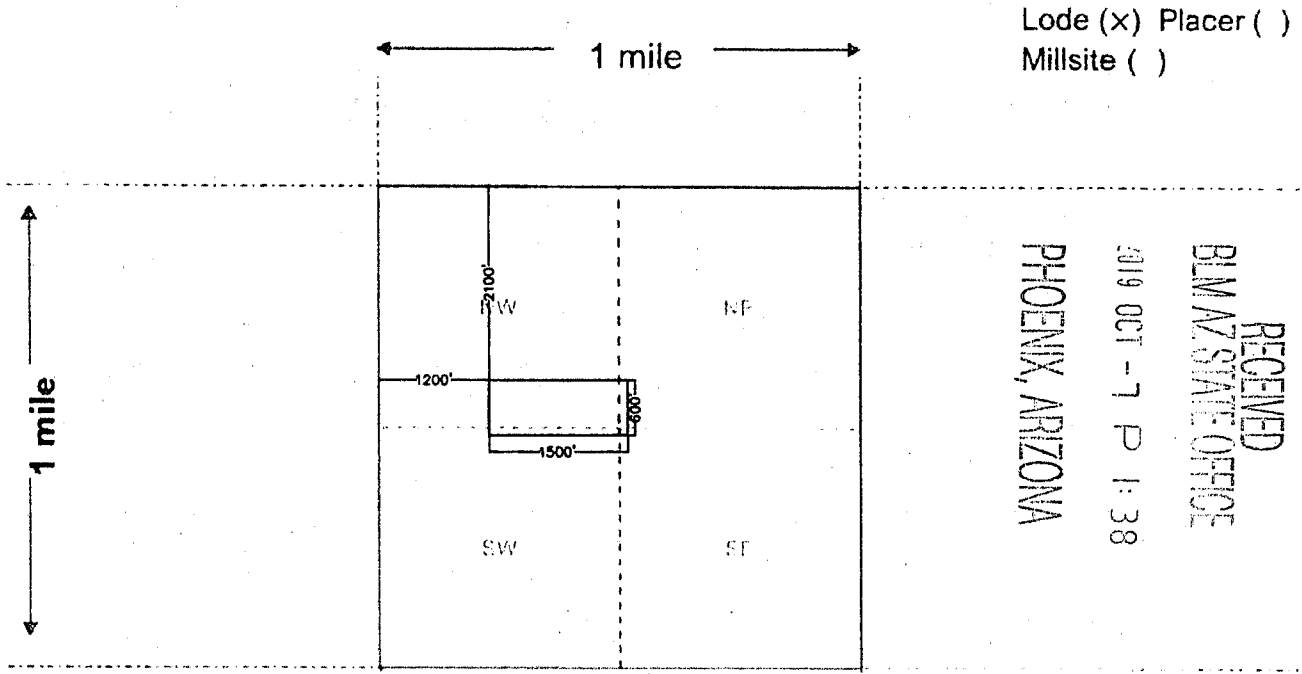
Print Name(s) Vincent Apple

Signature(s) [Handwritten Signature]

Form MCF100  
Revised July 2014

ARC457149

**MINING CLAIM MAP**



Lode (x) Placer ( )  
Millsite ( )

RECEIVED  
BLM AZ STATE OFFICE  
2019 OCT -7 P 1:38  
PHOENIX, ARIZONA



Scale: 1" = 2000 feet

- The above map depicts the Queen Creek Strike No.10 mining claim, which is located in Section (s) 20, Township 1 S, Range 10 E, Gila and Salt River Base and Meridian, Pinal County, Arizona. Total claim acreage is 20.66
- The type of corner and location monuments used are as follows: 3' Metal Posts
- The bearings and distances in degrees and feet between claim corners and to a public land survey monument are as depicted on the map.
- If the claim is a placer or millsite claim with exterior limits conforming to legal subdivisions of the public survey,

provide a legal description of the claim Queen Creek Strike No. 10: The bearing and distance between corners is as follows: Beginning at the NW Corner, a monument at which the location notice is posted, then south 600 feet to the SW corner, then east 1500 feet to the SE corner, then 600 feet to the NE corner, then west 1500 feet to the place at the beginning. The NW corner of the claim at which the location notice is posted bears due east a distance of 1200 feet, then due south a distance of 2100 feet from the section corner common to Sections 16,17, 20 & 21, Township 1 South, Range 10 East, G.& S.R.B.&M.

Form MCF100a  
Revised Oct 2018

This form is available from the Arizona Geology Survey and may be reproduced.

AMC457149





# LR2000 Internal

## CR Geographic Report with Land

### Download User Guide (pdf)

**Purpose:** This report produces a geographic listing of case information based on retrieval by Meridian/Township/Range. This report format will display the case type, case disposition, meridian, township, range, section, survey type, survey number, surface management agency, pending actions, serial number, and total case acres.

To refresh the query, do a **Ctrl-R**. It resets the page and clears any criteria fields that may have entries.



### No Results

The specified criteria didn't result in any data. This is often caused by applying filters and/or selection steps that are too restrictive or that contain incorrect values. Please check your analysis filters and selection steps, and try again. The filters or selection steps currently being applied are shown below.

#### Filters

Disposition is equal to **AUTHORIZED, CANCELLED, EXPIRED, PENDING, REJECTED, RELINQUISHED, WITHDRAWN**

**and** Meridian Township Range Section is equal to **14 0010S 0100E 016, 14 0010S 0100E 017, 14 0010S 0100E 019, 14 0010S 0100E 020, 14 0010S 0100E 021**

**and** Admin State is equal to **AZ**

12 19 6

For applicable

ORIGIN ID: LUFA (623) 580-5583  
ASHERIA ANDERSON  
21605 N 7TH AVE

SHIP DATE: 02OCT19  
ACTWGT: 0.50 LB  
CAD: 111661909/INET4160

PHOENIX, AZ 85027  
UNITED STATES US

BILL SENDER

TO **TINA COLADONATO**  
**BLM-SO**  
**ONE NORTH CENTRAL AVE., STE. 800**

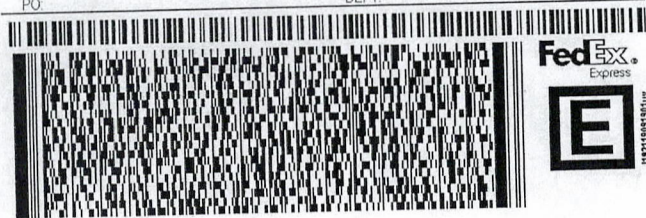
**PHOENIX AZ 85004**

(602) 417-9368  
INV.  
PO

REF:

DEPT:

567.03/2/30/05/AZ



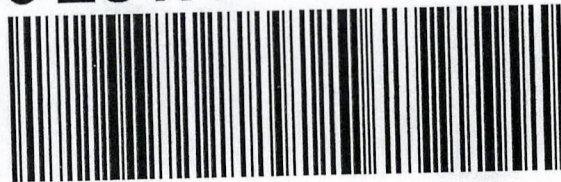
To learn about FedEx and the environment, go to [www.fedex.com](http://www.fedex.com).

THU - 03 OCT 10:30A  
PRIORITY OVERNIGHT

TRK# 7764 4123 3790  
0201

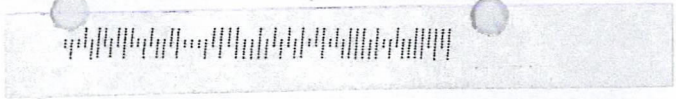
**98 ZSYA**

85004  
AZ-US PHX



ST 1.2  
10:30 D  
3790  
10:03

P. in sl flk th



US POSTAGE  
**\$02.35<sup>0</sup>**  
First-Class

Mailed From 89015  
09/26/2019  
032A 0061801199



**BROADBENT**

8 West Pacific Ave., Henderson, NV 89015  
[T] 702-563-0600 [F] 702-563-0610  
broadbentinc.com

---

Phoenix District Office  
Bureau of Land Management  
21605 North 7<sup>th</sup> Ave  
Phoenix, AZ 85027

---

**ENVIRONMENTAL · WATER RESOURCES · ENGINEERING**